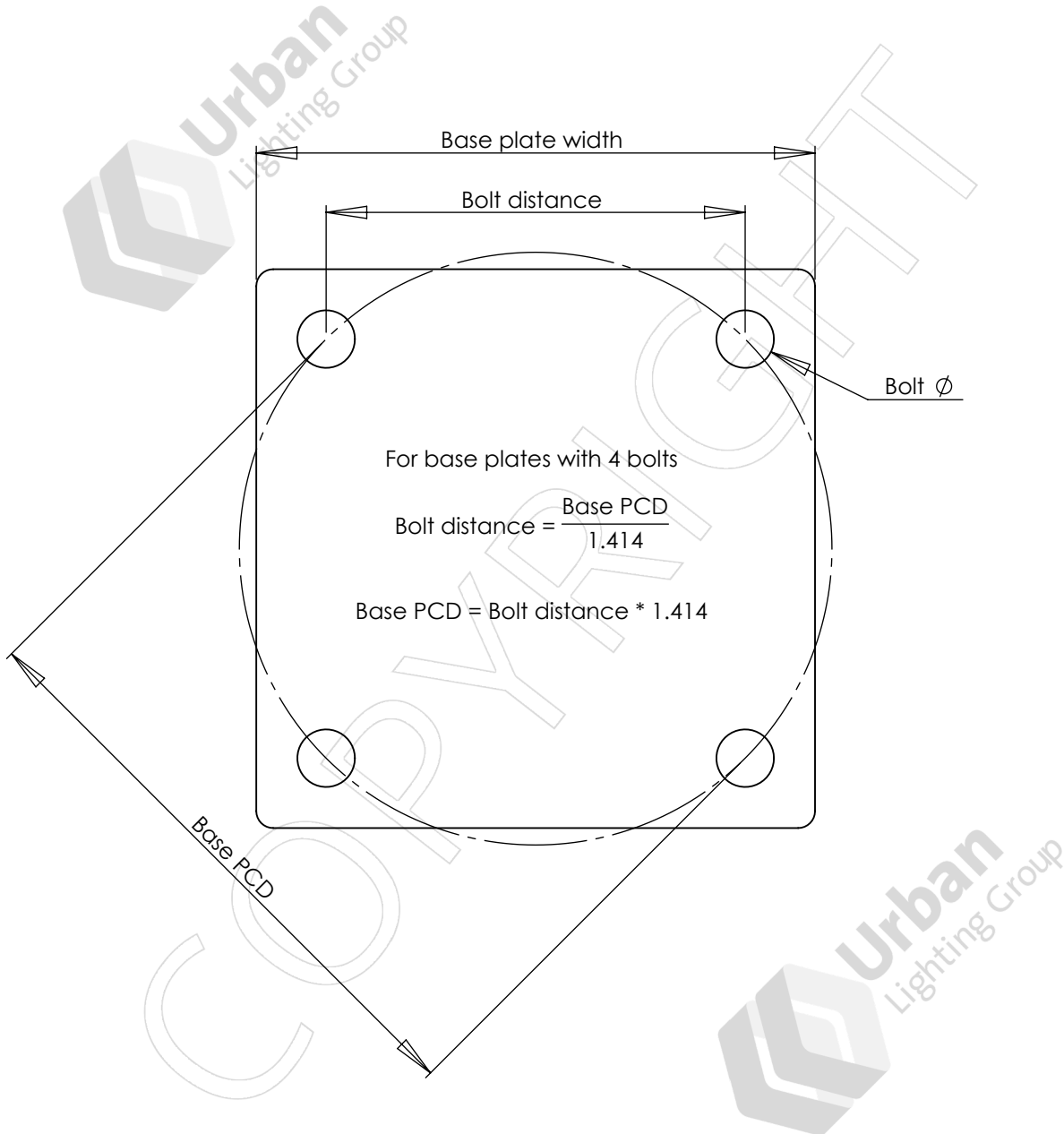


NOTE: Drawing is for illustrative purposes only. All dimension are in mm



Typical base plates

Base plate	Base PCD	Bolt ϕ	Base plate width	Bolt distance
M20 x ϕ 233mm PCD	233mm	M20	250mm	165mm
M20 x ϕ 350mm PCD	350mm	M20	330mm - 350mm	247mm
M24 x ϕ 350mm PCD	350mm	M24	330mm - 350mm	247mm
M30 x ϕ 350mm PCD	350mm	M30	330mm - 350mm	247mm
M30 x ϕ 500mm PCD	500mm	M30	470mm - 500mm	354mm

Typical 4 bolt arrangements

Dwg No. GA-10144

1-Apr-2021

CONFIDENTIAL: This drawing is the property of Urban Lighting Group Pty Ltd.
No copies may be made without written permission

Sheet 1 of 1

A4

Urban
Lighting Group
Innovative Streetscape Solutions

Urban Lighting Group Pty Ltd
ABN 77 638 077 684
28 National Drive, Hallam Victoria 3803
T +61 3 9709 4200
email: sales@urbanlightinggroup.com.au