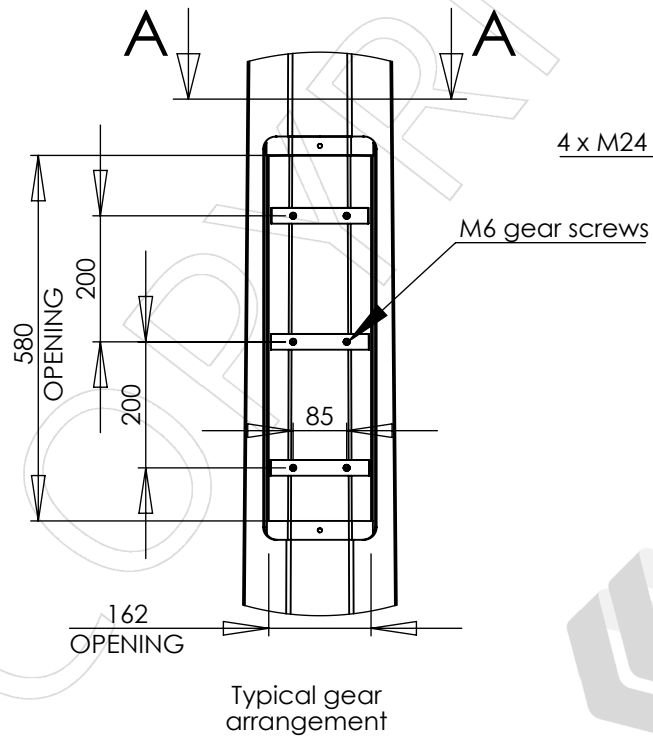
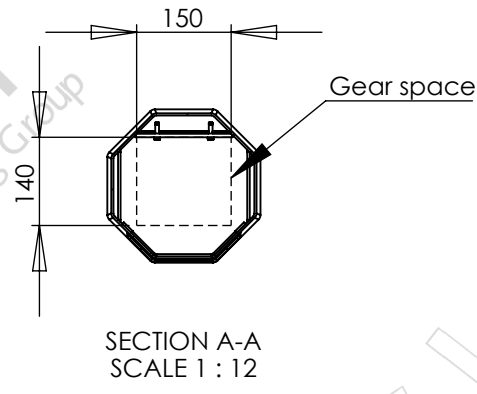
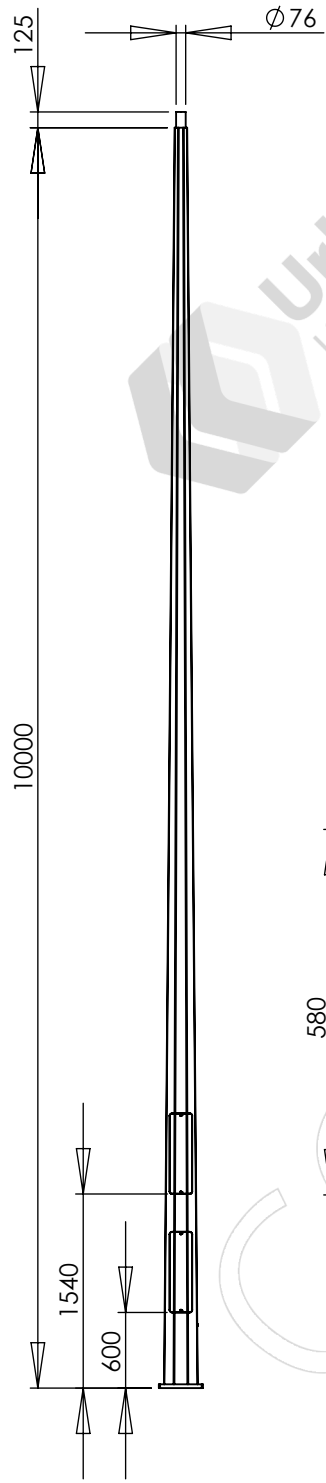
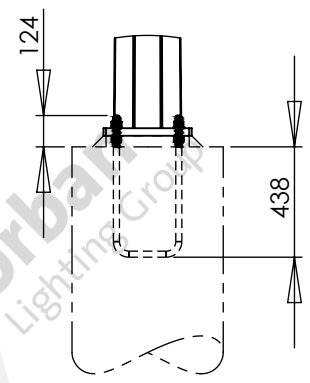


APPROVED BY: \_\_\_\_\_  
 DATE : \_\_\_\_\_



4 x M24 on Ø350mm PCD



- Notes:
- Luminaires and cabling are not included unless specifically listed on the quotation.
  - See quotation for reinforcing cage and footing details

Designed and manufactured to:  
 AS 1798 Lighting poles and arms - Preferred dimensions  
 AS/NZS 1170.2 Structural design actions - Part 2: Wind actions  
 AS 4100 Steel structures  
 AS 4680 Hot-dip galvanized (zinc) coatings  
 See DS-3040 for other design standards

PARTS LIST					
ITEM NO.	PART NUMBER	DESCRIPTION	DRAWING NO.	REV.	QTY.
1	FL10L1	10.0m TAPERED OCTAGONAL COLUMN	ADL-20301	2	1
2	UBA-M24X350	U-BOLT ASSEMBLY, M24 X 350 PCD	ADL-20299	2	1

REV.	DESCRIPTION	DATE	BY
1	INITIAL ISSUE	2022-11-16	KG

FL10L1 column			
Colour:			
Luminaires allowed for: 1.2 sq.m 120kg total load			
Wind loads: Region A, TC 2		Ground loads: M* 27.2 kNm, V* 4.15 kN	
Weight: 202kg		DO NOT SCALE	
Sheet 1 of 1		A4	



Urban Lighting Group  
 Innovative Streetscape Solutions

Urban Lighting Group Pty Ltd  
 ABN 74 638 077 684  
 28 National Drive, Hallam Victoria 3803  
 T 1300 088 719  
 email: sales@urbanlightinggroup.com.au

Drawing No. GA-10586  
 Revision 1