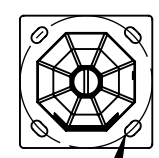
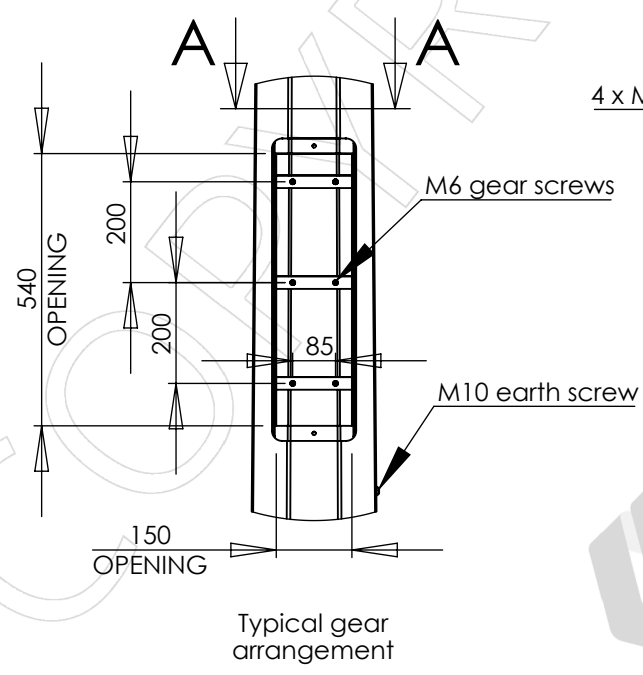
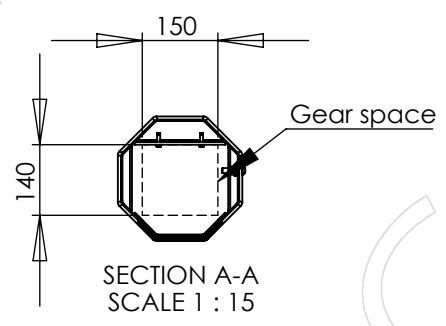
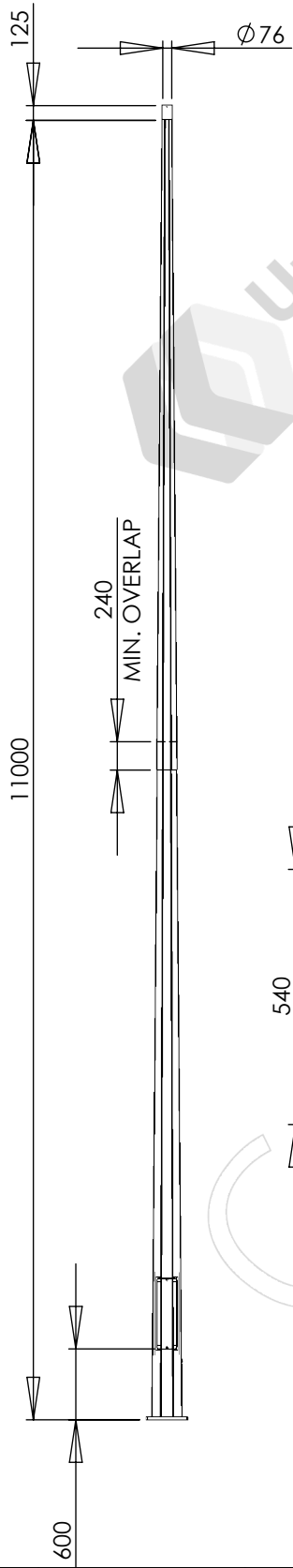
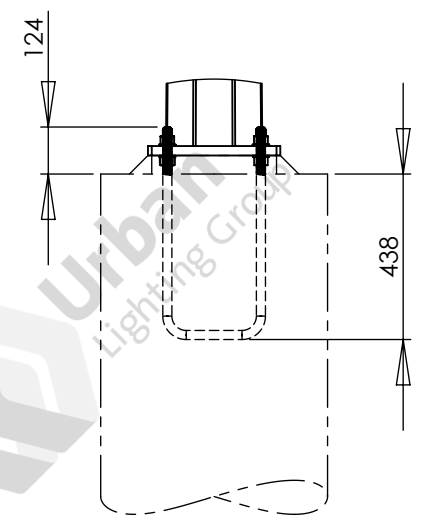


APPROVED BY: _____
 DATE : _____




4 x M24 on Ø350mm PCD



- Notes:
- Luminaires and cabling are not included unless specifically listed on the quotation.
 - See quotation for reinforcing cage and footing details

Designed and manufactured to:
 AS 1798 Lighting poles and arms - Preferred dimensions
 AS/NZS 1170.2 Structural design actions - Part 2: Wind actions
 AS 4100 Steel structures
 AS 4680 Hot-dip galvanized (zinc) coatings
 See DS-3040 for other design standards

PARTS LIST			
ITEM NO.	PART NUMBER	DESCRIPTION	QTY.
1	FL11XL2	11.0m TAPERED OCTAGONAL COLUMN	1
2	UBA-M24X350	U-BOLT ASSEMBLY, M24 X 350 PCD	1

				FL11XL2 column	 Urban Lighting Group Innovative Streetscape Solutions Urban Lighting Group Pty Ltd ABN 74 638 077 684 28 National Drive, Hallam Victoria 3803 T 1300 088 719 email: sales@urbanlightinggroup.com.au		
				Colour:			
				Luminaires allowed for: 0.6 sq.m 60kg total load			
1	Initial issue	2022-05-09	KG	Wind loads: Region A, TC 2	Ground loads: M* 21.8 kNm, V* 3.47 kN	Drawing No. GA-10427	
Rev.	Description	Date	By	Weight: 186kg	DO NOT SCALE	Sheet 1 of 1	
This drawing is the property of Urban Lighting Group Pty Ltd. No copies may be made without written permission						A4	Revision 1