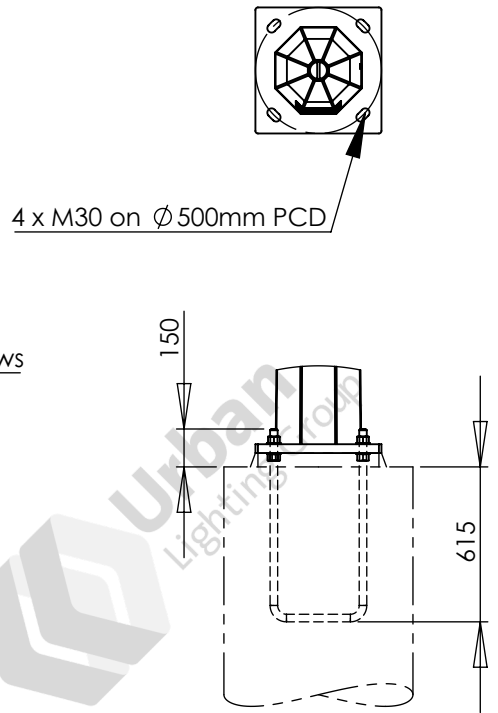
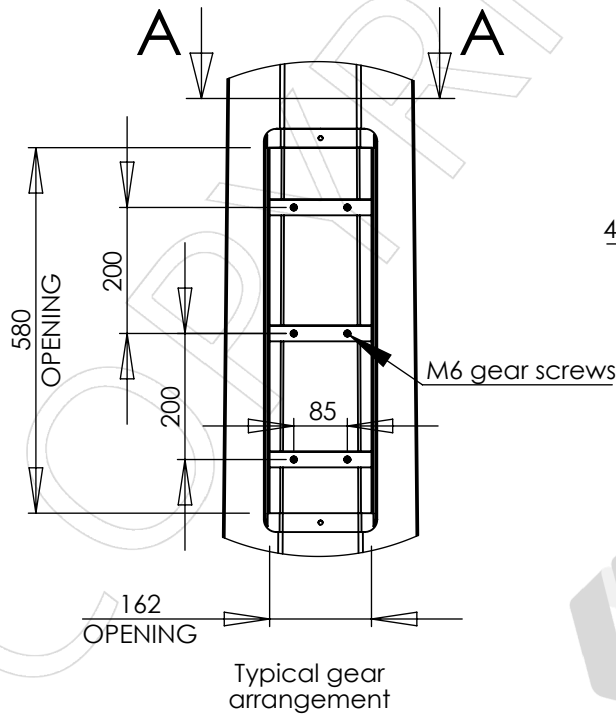
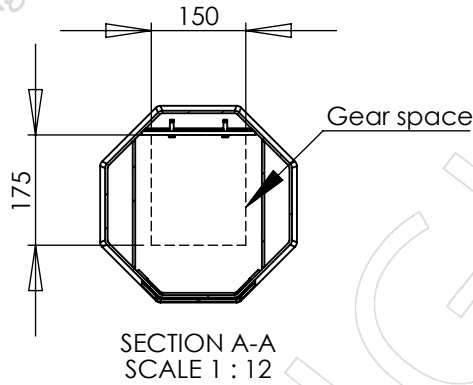
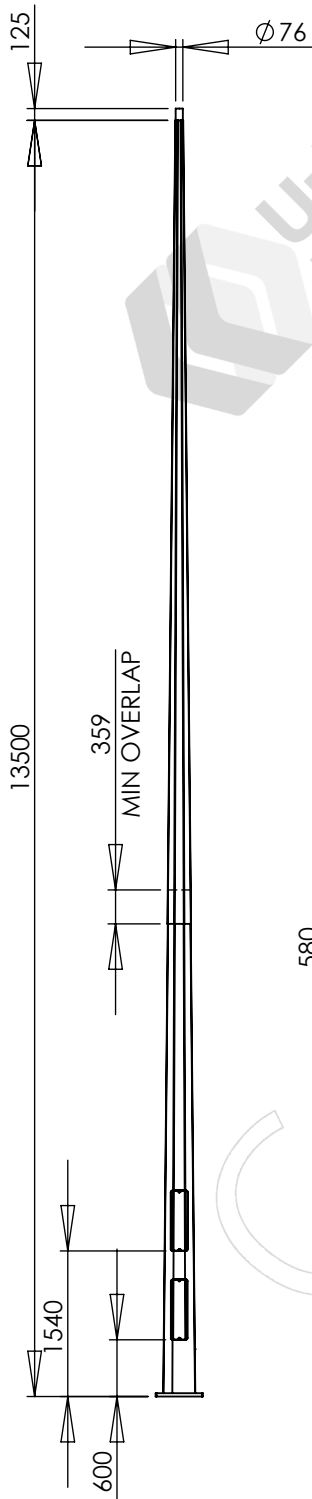



APPROVED BY: _____
 DATE : _____



- Notes:
- Luminaires and cabling are not included unless specifically listed on the quotation.
 - See quotation for reinforcing cage and footing details

Designed and manufactured to:
 AS 1798 Lighting poles and arms - Preferred dimensions
 AS/NZS 1170.2 Structural design actions - Part 2: Wind actions
 AS 4100 Steel structures
 AS 4680 Hot-dip galvanized (zinc) coatings
 See DS-3040 for other design standards

PARTS LIST			
ITEM NO.	PART NUMBER	DESCRIPTION	QTY.
1	FL13.5L2	13.5m TAPERED OCTAGONAL COLUMN	1
2	UBA-M30X500	U-BOLT ASSEMBLY, M30 X 500mm PCD	1

				FL13.5L2 column	 Urban Lighting Group Pty Ltd ABN 74 638 077 684 28 National Drive, Hallam Victoria 3803 T 1300 088 719 email: sales@urbanlightinggroup.com.au
				Colour:	
				Luminaires allowed for: 1.5 sq.m 150kg total load	
				Wind loads: Region A, TC 2	
1	Initial issue	2022-07-08	KG	Ground loads: M* 55.6 kNm, V* 6.25 kN	Drawing No. GA-10407
Rev.	Description	Date	By	Weight: 345kg	Revision 1