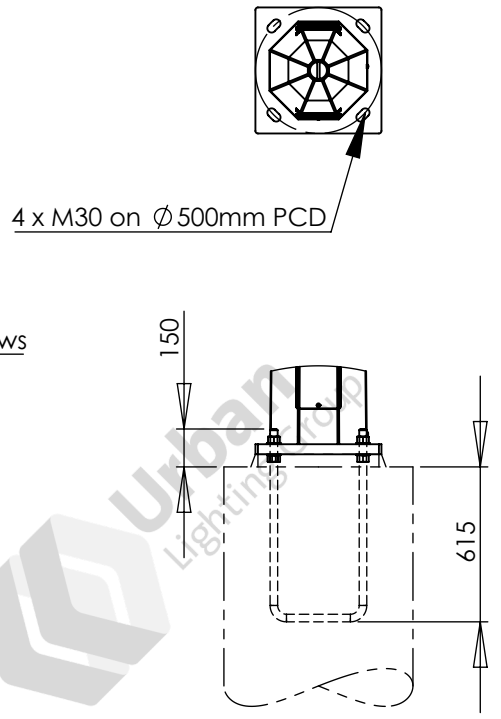
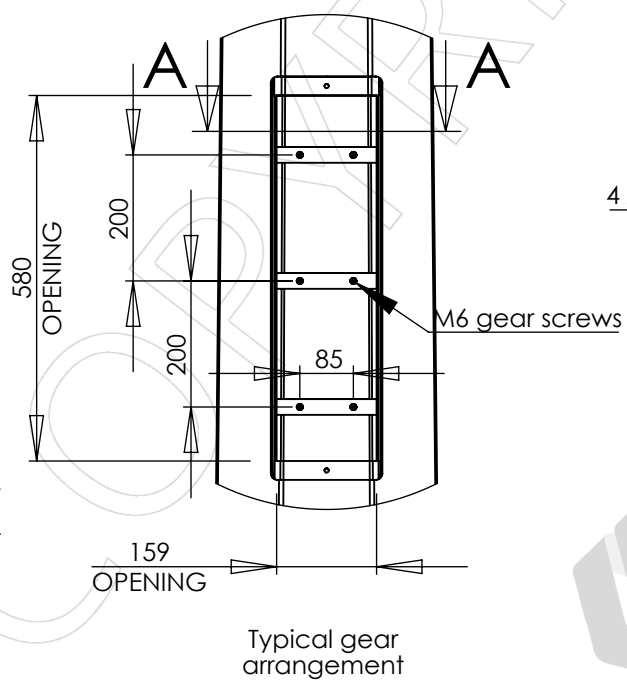
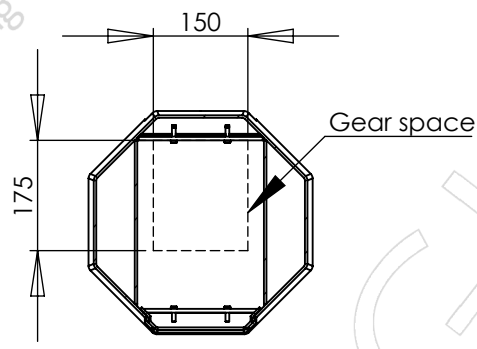
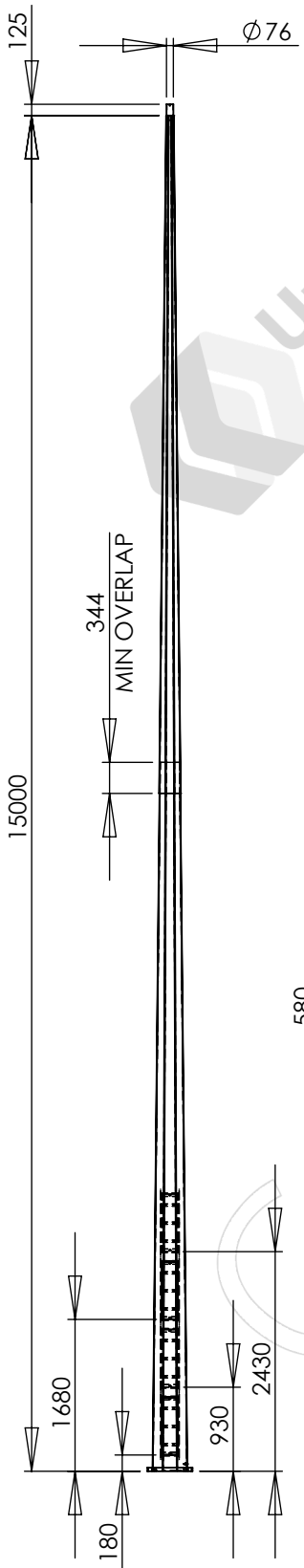



APPROVED BY: _____
 DATE : _____



Notes:
 1. Luminaires and cabling are not included unless specifically listed on the quotation.
 2. See quotation for reinforcing cage and footing details

Designed and manufactured to:
 AS 1798 Lighting poles and arms - Preferred dimensions
 AS/NZS 1170.2 Structural design actions - Part 2: Wind actions
 AS 4100 Steel structures
 AS 4680 Hot-dip galvanized (zinc) coatings
 See DS-3040 for other design standards

PARTS LIST			
ITEM NO.	PART NUMBER	DESCRIPTION	QTY.
1	FL15M2	15.0m TAPERED OCTAGONAL COLUMN	1
2	UBA-M30X500	U-BOLT ASSEMBLY, M30 X 500mm PCD	1

				FL15M2 column		 Urban Lighting Group Innovative Streetscape Solutions Urban Lighting Group Pty Ltd ABN 74 638 077 684 28 National Drive, Hallam Victoria 3803 T 1300 088 719 email: sales@urbanlightinggroup.com.au	
				Colour:			
				Luminaires allowed for: 1.8 sq.m 180kg total load			
1	Initial issue	2022-05-13	KG	Wind loads: Region A, TC 2		Ground loads: M* 72 kNm, V* 7.75 kN	
Rev.	Description	Date	By	Weight: kg		DO NOT SCALE	
						Sheet 1 of 1	
						A4	
						Revision 1	
						Drawing No. GA-10410	

This drawing is the property of Urban Lighting Group Pty Ltd.
 No copies may be made without written permission