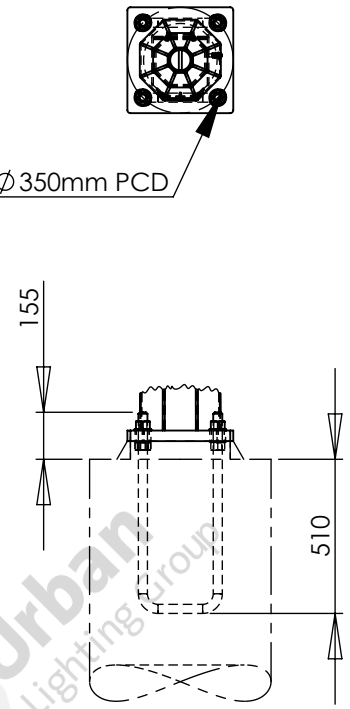
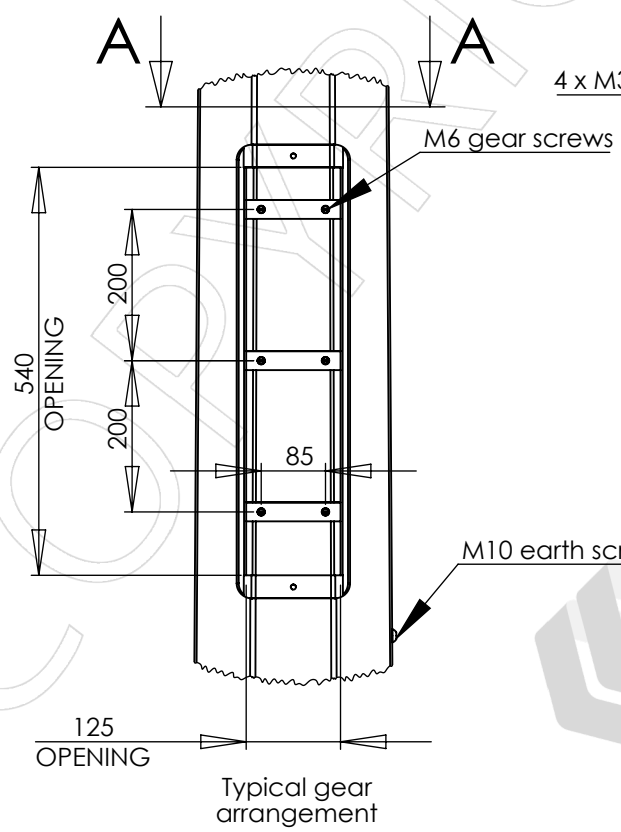
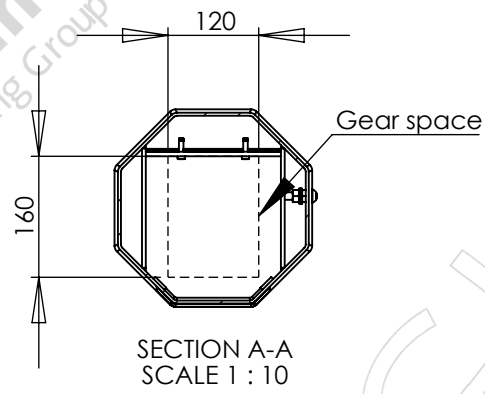
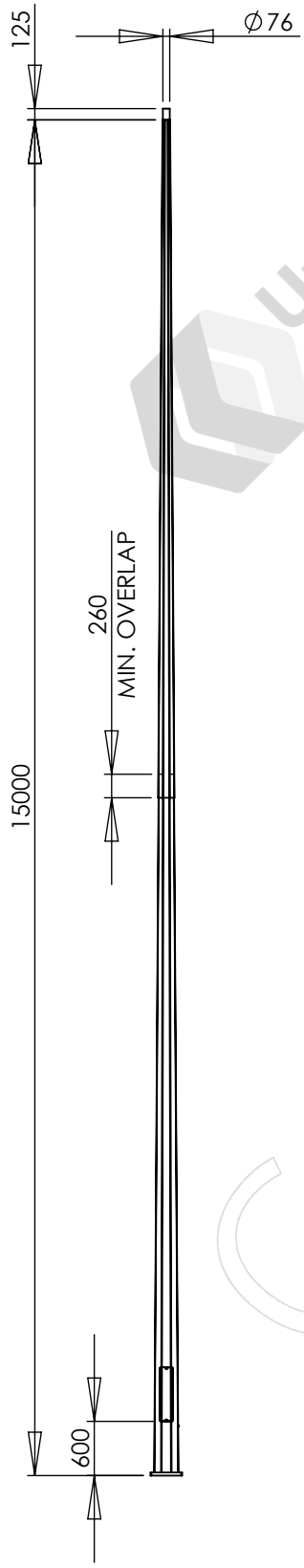


APPROVED BY: _____
 DATE : _____



- Notes:
- Luminaires and cabling are not included unless specifically listed on the quotation.
 - See quotation for reinforcing cage and footing details

Designed and manufactured to:
 AS 1798 Lighting poles and arms - Preferred dimensions
 AS/NZS 1170.2 Structural design actions - Part 2: Wind actions
 AS 4100 Steel structures
 AS 4680 Hot-dip galvanized (zinc) coatings
 See DS-3040 for other design standards

PARTS LIST					
ITEM NO.	PART NUMBER	DESCRIPTION	DRAWING NO.	REV.	QTY.
1	FL15XL2	15.0m TAPERED OCTAGONAL COLUMN	ADL-20711	3	1
2	UBA-M30X350	U-BOLT ASSEMBLY, M30 X 350mm PCD	ADL-20713	1	1

REV.	DESCRIPTION	DATE	BY
1	INITIAL ISSUE	2022-11-17	KG

FL15XL2 Column	
Colour:	
Luminaires allowed for: 0.6m ² 60kg Total Load	
Wind loads: Region A, TC 2	Ground loads: M* 40.2 kNm, V* 4.88 kN
Weight: 289kg	DO NOT SCALE
Sheet 1 of 1	A4



Urban Lighting Group
 Innovative Streetscape Solutions

Urban Lighting Group Pty Ltd
 ABN 74 638 077 684
 28 National Drive, Hallam Victoria 3803
 T 1300 088 719
 email: sales@urbanlightinggroup.com.au

Drawing No. GA-10591
 Revision 1