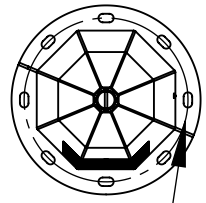
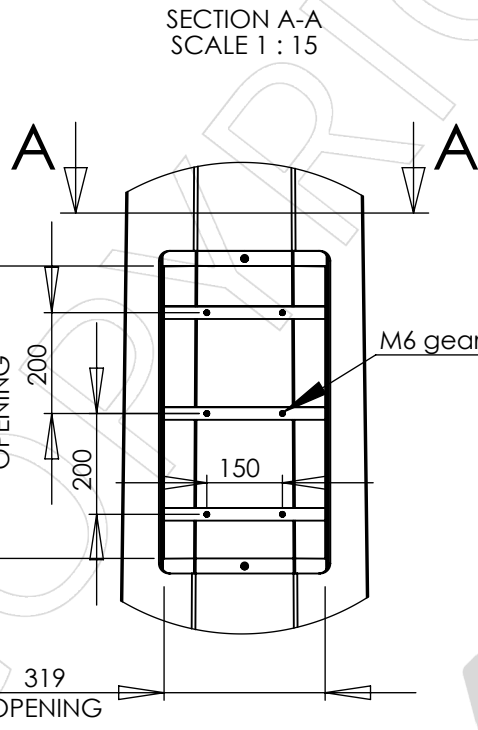
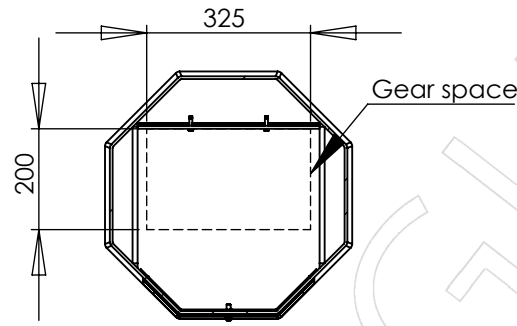
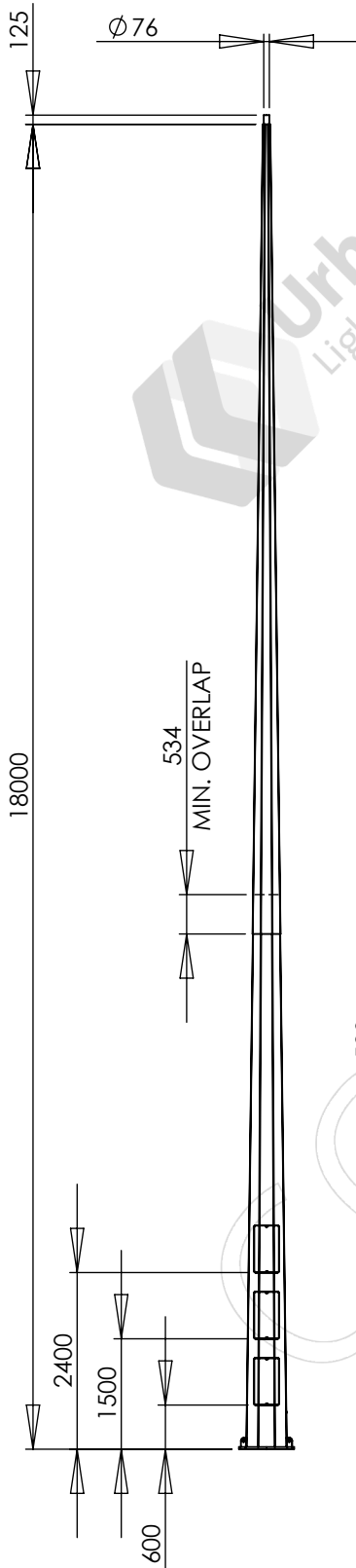
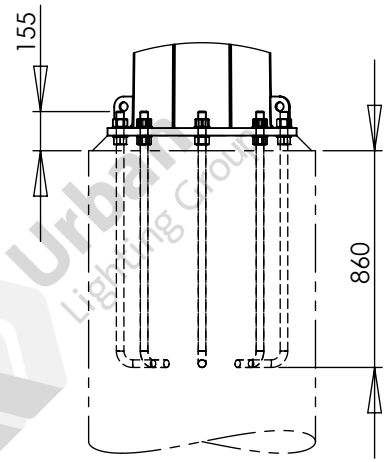


APPROVED BY: \_\_\_\_\_  
 DATE : \_\_\_\_\_




8 x M30 on Ø 650mm PCD



- Notes:
- Luminaires and cabling are not included unless specifically listed on the quotation.
  - See quotation for reinforcing cage and footing details

Designed and manufactured to:  
 AS 1798 Lighting poles and arms - Preferred dimensions  
 AS/NZS 1170.2 Structural design actions - Part 2: Wind actions  
 AS 4100 Steel structures  
 AS 4680 Hot-dip galvanized (zinc) coatings  
 See DS-3040 for other design standards

PARTS LIST			
ITEM NO.	PART NUMBER	DESCRIPTION	QTY.
1	FL18H2	18.0m TAPERED OCTAGONAL COLUMN	1
2	FBA-8XM30X650	FOUNDATION BOLT ASSEMBLY, 8 X M30 X 650mm PCD	1

				FL18H2 column		 Urban Lighting Group Innovative Streetscape Solutions	
				Colour:			
				Luminaires allowed for: 2.6 sq.m 220kg total load		Urban Lighting Group Pty Ltd ABN 74 638 077 684 28 National Drive, Hallam Victoria 3803 T 1300 088 719 email: sales@urbanlightinggroup.com.au	
1	Initial issue	2022-05-03	KG	Wind loads: Region A, TC 2	Ground loads: M* 136 kNm, V* 12.7 kN	Drawing No. GA-10413	
This drawing is the property of Urban Lighting Group Pty Ltd. No copies may be made without written permission				Weight: 889kg	DO NOT SCALE	Sheet 1 of 1	A4
						Revision	1