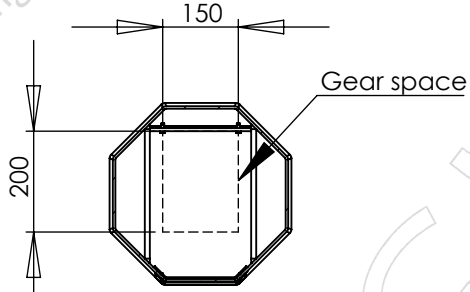
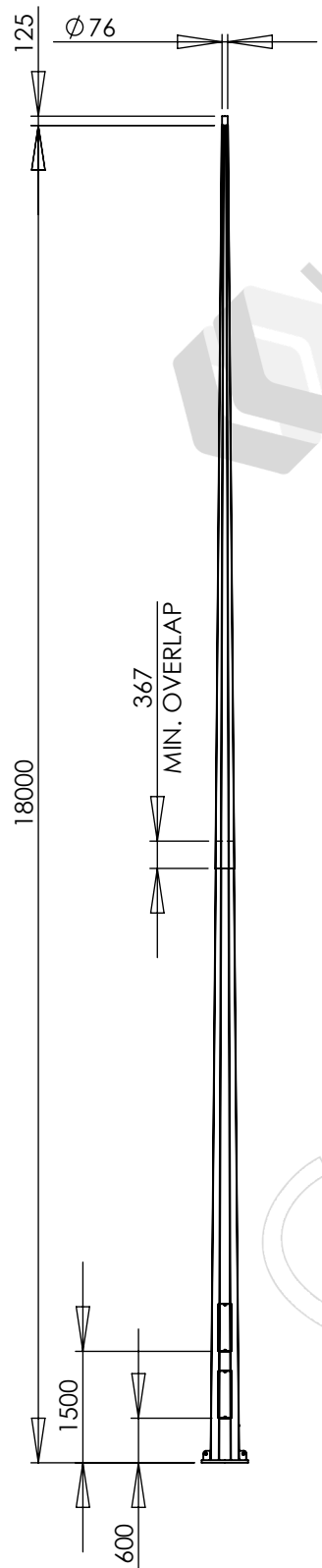
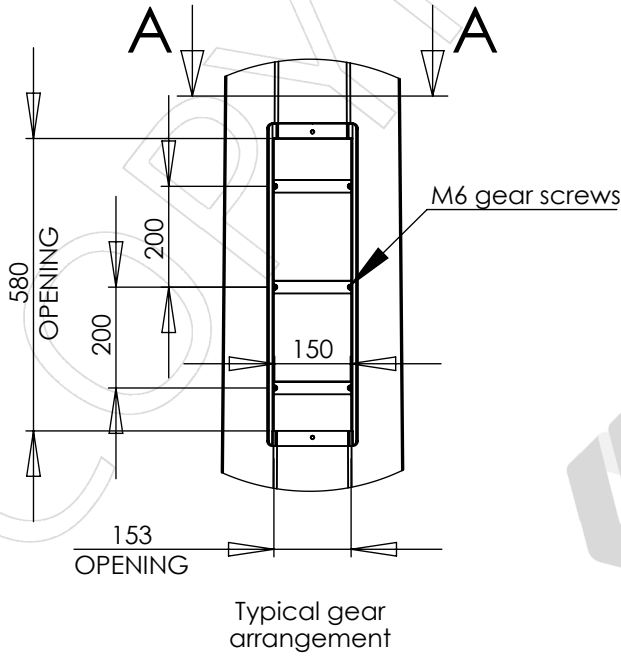


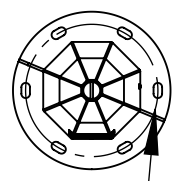
APPROVED BY: _____
 DATE : _____



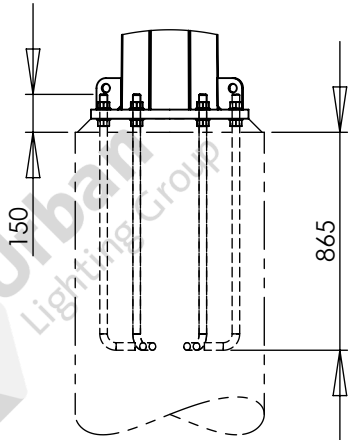
SECTION A-A
SCALE 1 : 15



Typical gear arrangement



6 x M30 on Ø525mm PCD



- Notes:
- Luminaires and cabling are not included unless specifically listed on the quotation.
 - See quotation for reinforcing cage and footing details

Designed and manufactured to:
 AS 1798 Lighting poles and arms - Preferred dimensions
 AS/NZS 1170.2 Structural design actions - Part 2: Wind actions
 AS 4100 Steel structures
 AS 4680 Hot-dip galvanized (zinc) coatings
 See DS-3040 for other design standards

PARTS LIST			
ITEM NO.	PART NUMBER	DESCRIPTION	QTY.
1	FL18L2	18.0m TAPERED OCTAGONAL COLUMN	1
2	FBA-6XM30X525	FOUNDATION BOLT ASSEMBLY, 6 X M30 X 525 PCD	1

				FL18L2 column
				Colour:
1	Initial issue	2022-05-04	KG	Luminaires allowed for: 1.2 sq.m 120kg total load
Rev.	Description	Date	By	Wind loads: Region A, TC 2
				Ground loads: M* 82.2 kNm, V* 8.25 kN
				Weight: kg

Urban Lighting Group Pty Ltd
 ABN 74 638 077 684
 28 National Drive, Hallam Victoria 3803
 T 1300 088 719
 email: sales@urbanlightinggroup.com.au

Drawing No. GA-10411
 Revision 1