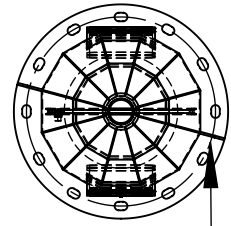
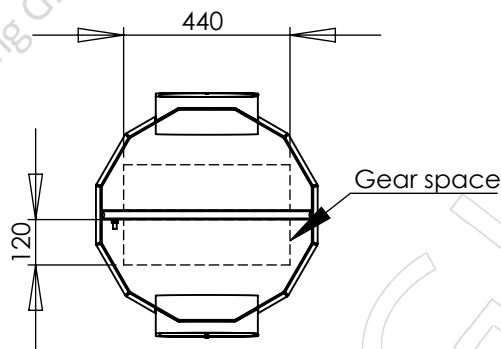
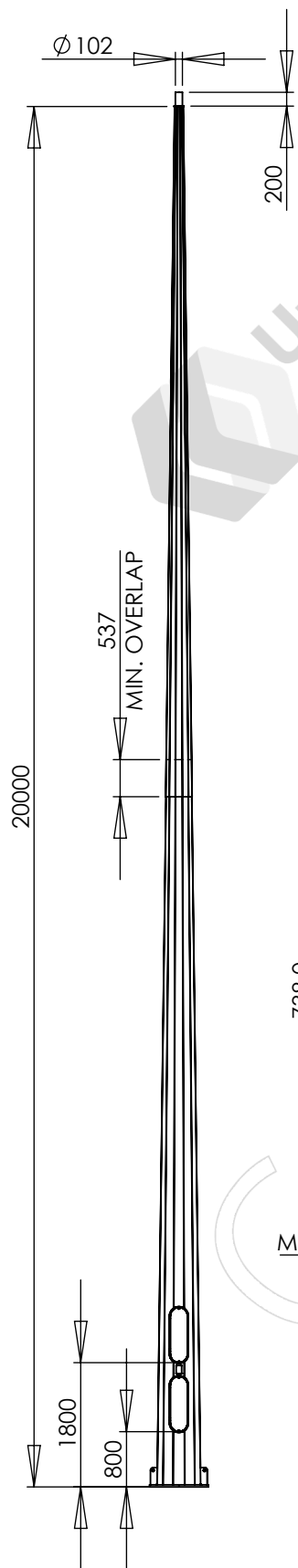
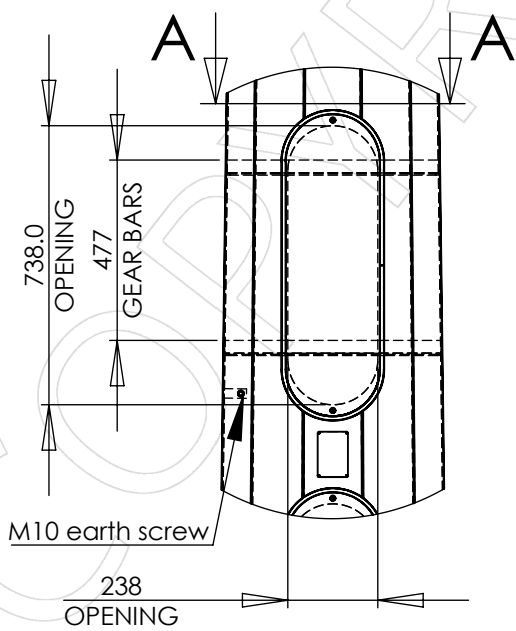


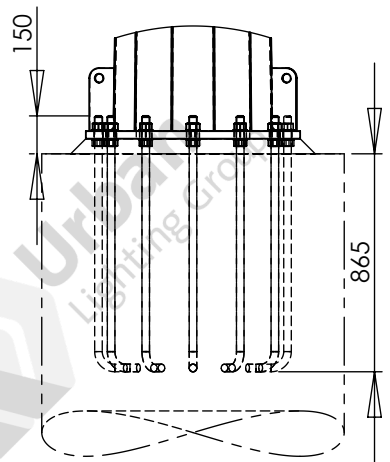
APPROVED BY: _____
 DATE : _____



12 x M30 on ϕ 750mm PCD




Typical gear arrangement



- Notes:
- Luminaires and cabling are not included unless specifically listed on the quotation.
 - See quotation for reinforcing cage and footing details

Designed and manufactured to:
 AS 1798 Lighting poles and arms - Preferred dimensions
 AS/NZS 1170.2 Structural design actions - Part 2: Wind actions
 AS 4100 Steel structures
 AS 4680 Hot-dip galvanized (zinc) coatings
 See DS-3040 for other design standards

PARTS LIST			
ITEM NO.	PART NUMBER	DESCRIPTION	QTY.
1	FL20-D2-102630	20.0m HIGH MAST COLUMN	1
2	FBA-12XM30X750	FOUNDATION BOLT ASSEMBLY, 12 X M30 ON 750mm PCD	1

				FL20-D2-102630 column		 Urban Lighting Group Innovative Streetscape Solutions	
				Colour:			
				Luminaires allowed for: 3.7m ² 330kg total load		Urban Lighting Group Pty Ltd ABN 74 638 077 684 28 National Drive, Hallam Victoria 3803 T 1300 088 719 email: sales@urbanlightinggroup.com.au	
1	Initial issue	2022-10-04	KG	Wind loads: Region A, TC 2	Ground loads: M* 203 kNm, V* 16.4 kN	Drawing No. GA-10519	
Rev.	Description	Date	By	Weight: 913kg	DO NOT SCALE	Sheet 1 of 1	A4
This drawing is the property of Urban Lighting Group Pty Ltd. No copies may be made without written permission						Revision	1