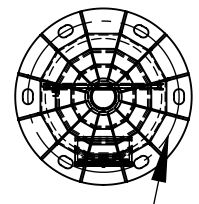
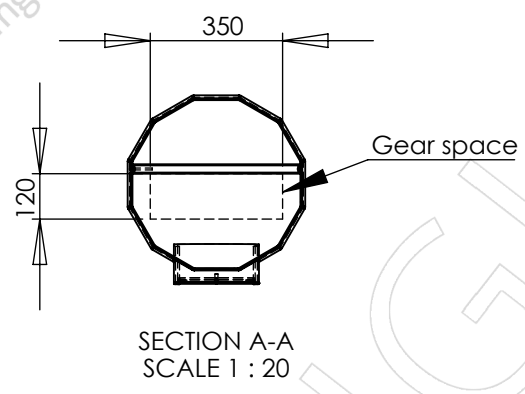
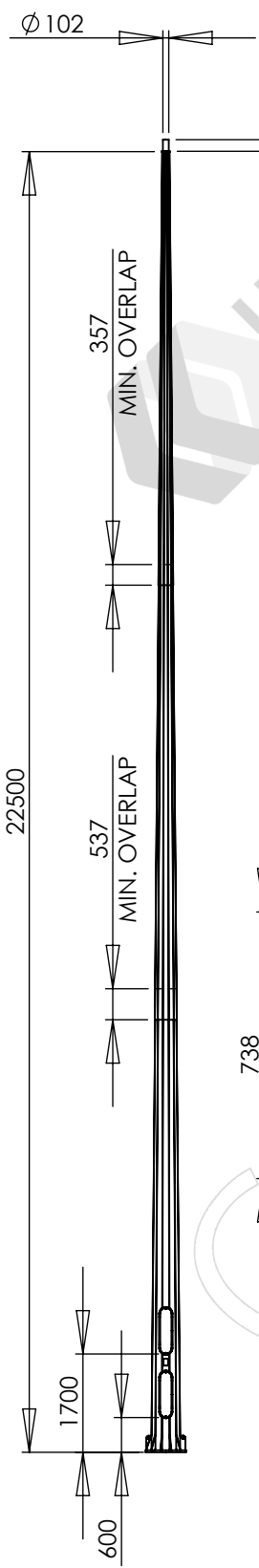
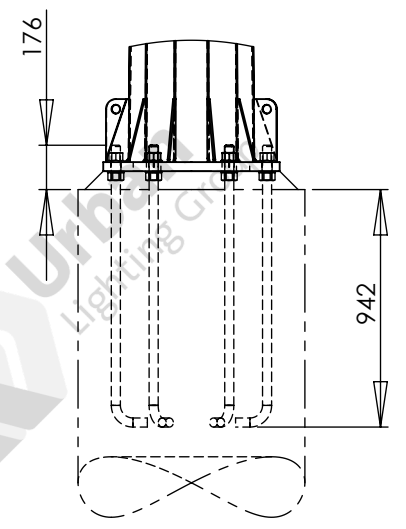
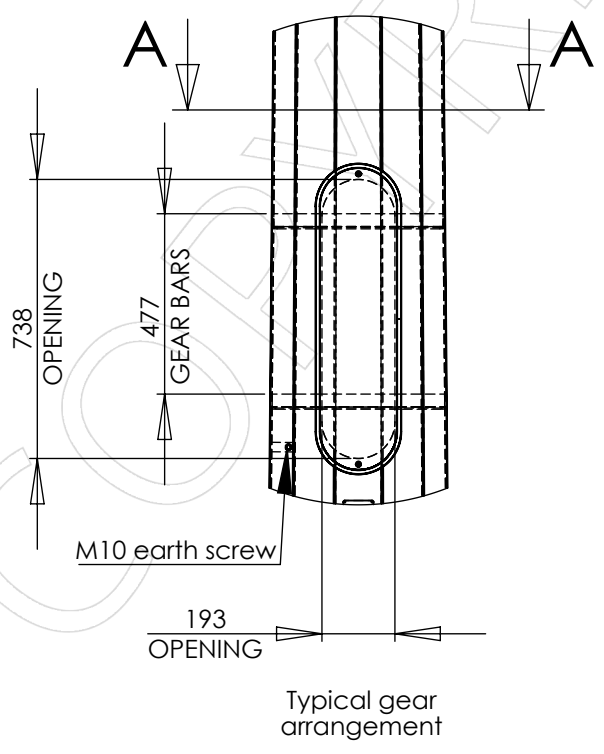


APPROVED BY: \_\_\_\_\_  
 DATE : \_\_\_\_\_




6 x M36 on Ø 600mm PCD



Notes:  
 1. Luminaires and cabling are not included unless specifically listed on the quotation.  
 2. See quotation for reinforcing cage and footing details

Designed and manufactured to:  
 AS 1798 Lighting poles and arms - Preferred dimensions  
 AS/NZS 1170.2 Structural design actions - Part 2: Wind actions  
 AS 4100 Steel structures  
 AS 4680 Hot-dip galvanized (zinc) coatings  
 See DS-3040 for other design standards

| PARTS LIST |                 |  |      |
|------------|-----------------|--|------|
| ITEM NO.   | PART NUMBER     | DESCRIPTION                                    | QTY. |
| 1          | FL225-D3-102500 | 22.5m HIGH MAST COLUMN                         | 1    |
| 2          | FBA-6XM36X600   | FOUNDATION BOLT ASSEMBLY, 6 X M36 ON 600mm PCD | 1    |

|  |               |            |    |   |                                      |  |                  |
|--|---------------|------------|----|---|--------------------------------------|--|------------------|
|  |               |            |    | FL22.5-D3-102500 column                                     |                                      | <br>Urban Lighting Group<br>Innovative Streetscape Solutions<br>Urban Lighting Group Pty Ltd<br>ABN 74 638 077 684<br>28 National Drive, Hallam Victoria 3803<br>T 1300 088 719<br>email: sales@urbanlightinggroup.com.au |                  |
|  |               |            |    | Colour:   |                                      |  |                  |
| 1  | Initial issue | 2022-10-05 | KG | Luminaires allowed for: 1.75m <sup>2</sup> 155kg total load |                                      |  |                  |
| Rev.   | Description   | Date       | By | Wind loads: Region A, TC 2                                  | Ground loads: M* 171 kNm, V* 13.7 kN | Drawing No. GA-10528   |                  |
| This drawing is the property of Urban Lighting Group Pty Ltd. No copies may be made without written permission |               |            |    | Weight: 914kg   | DO NOT SCALE                         | Sheet 1 of 1   | A4<br>Revision 1 |