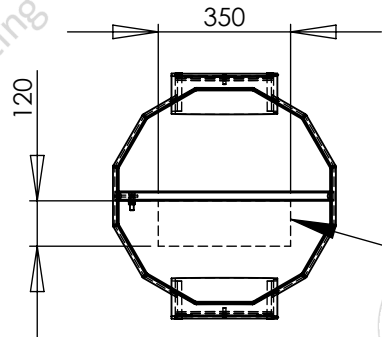
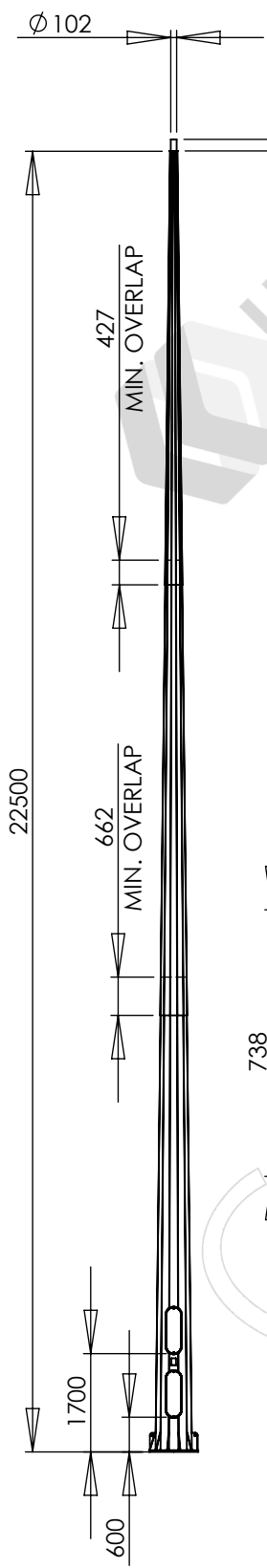
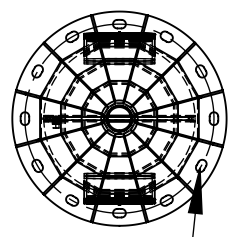


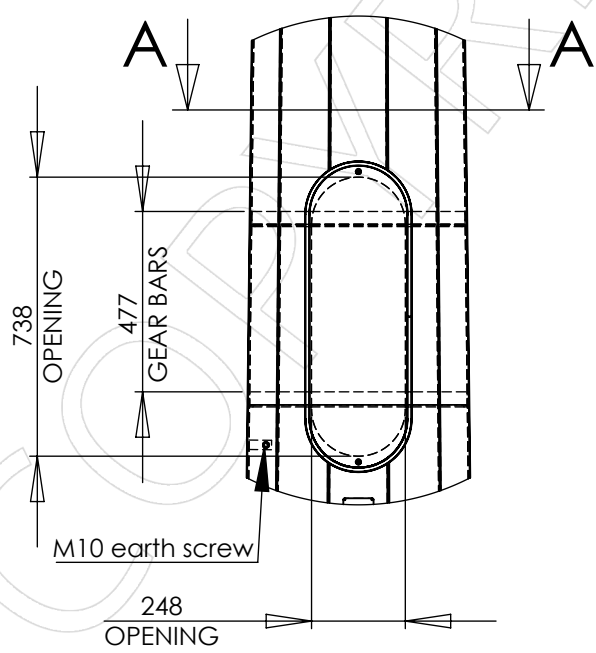
APPROVED BY: _____
 DATE : _____



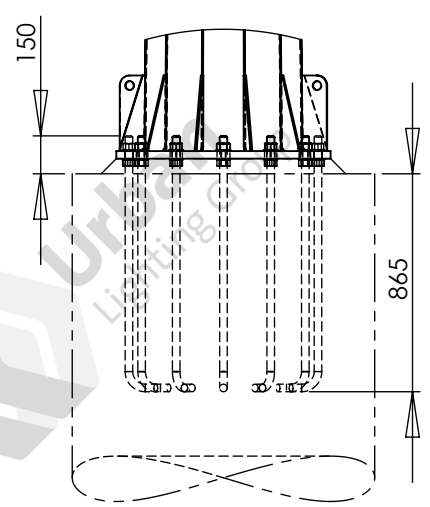
SECTION A-A
SCALE 1 : 20



12 x M30 on Ø750mm PCD




Typical gear arrangement



- Notes:
- Luminaires and cabling are not included unless specifically listed on the quotation.
 - See quotation for reinforcing cage and footing details

Designed and manufactured to:
 AS 1798 Lighting poles and arms - Preferred dimensions
 AS/NZS 1170.2 Structural design actions - Part 2: Wind actions
 AS 4100 Steel structures
 AS 4680 Hot-dip galvanized (zinc) coatings
 See DS-3040 for other design standards

PARTS LIST			
ITEM NO.	PART NUMBER	DESCRIPTION	QTY.
1	FL225-D3-102630	22.5m HIGH MAST COLUMN	1
2	FBA-12XM30X750	FOUNDATION BOLT ASSEMBLY, 12 X M30 ON 750mm PCD	1

				FL22.5-D3-102630 column		 Urban Lighting Group Innovative Streetscape Solutions	
				Colour:			
				Luminaires allowed for: 3.7m ² 330kg total load		Urban Lighting Group Pty Ltd ABN 74 638 077 684 28 National Drive, Hallam Victoria 3803 T 1300 088 719 email: sales@urbanlightinggroup.com.au	
1	Initial issue	2022-10-10	KG	Wind loads: Region A, TC 2	Ground loads: M* 248 kNm, V* 18.1 kN	Drawing No. GA-10530	
This drawing is the property of Urban Lighting Group Pty Ltd. No copies may be made without written permission				Weight: 1161kg	DO NOT SCALE	Sheet 1 of 1	A4
						Revision	1