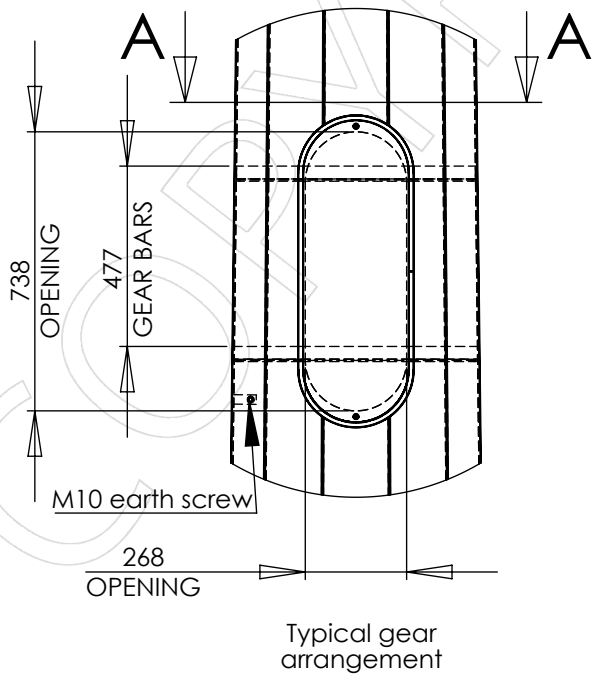
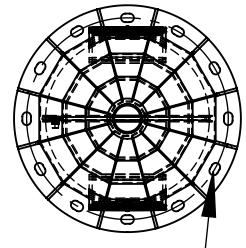
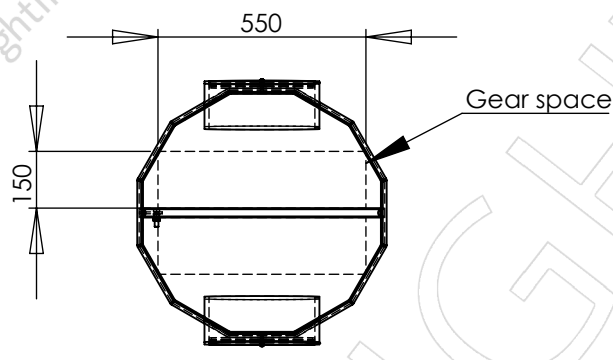
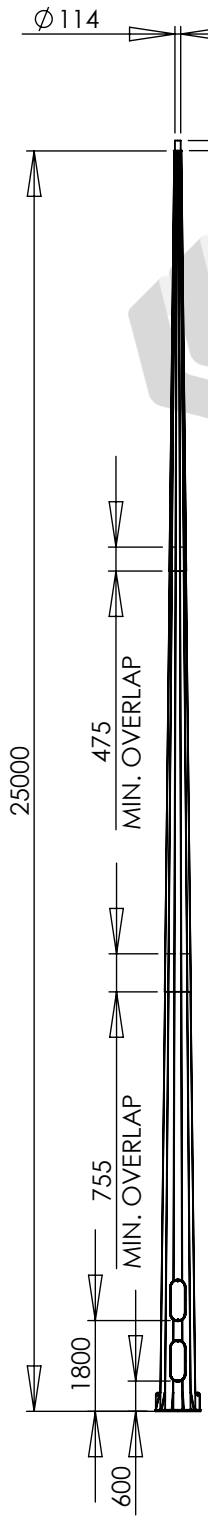
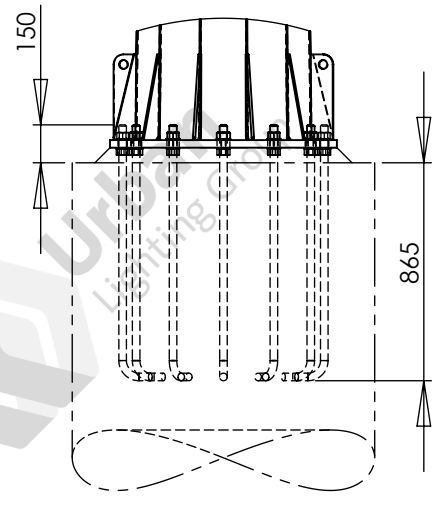


APPROVED BY: _____
 DATE : _____



12 x M30 on Ø800mm PCD



- Notes:
- Luminaires and cabling are not included unless specifically listed on the quotation.
 - See quotation for reinforcing cage and footing details

Designed and manufactured to:
 AS 1798 Lighting poles and arms - Preferred dimensions
 AS/NZS 1170.2 Structural design actions - Part 2: Wind actions
 AS 4100 Steel structures
 AS 4680 Hot-dip galvanized (zinc) coatings
 See DS-3040 for other design standards

PARTS LIST			
ITEM NO.	PART NUMBER	DESCRIPTION	QTY.
1	FL25-D3-114700	25.0m HIGH MAST COLUMN	1
2	FBA-12XM30X800	FOUNDATION BOLT ASSEMBLY, 12 X M30 ON 800mm PCD	1

				FL25-D3-114700 column
				Colour:
				Luminaires allowed for: 5.6m ² 485kg total load
1	Initial issue	2022-06-14	KG	Wind loads: Region A, TC 2
Rev.	Description	Date	By	Ground loads: M* 408 kNm, V* 25.5 kN
				Weight: 1464kg



Urban Lighting Group
 Innovative Streetscape Solutions

Urban Lighting Group Pty Ltd
 ABN 74 638 077 684
 28 National Drive, Hallam Victoria 3803
 T 1300 088 719
 email: sales@urbanlightinggroup.com.au

Drawing No. GA-10487
 Revision 1