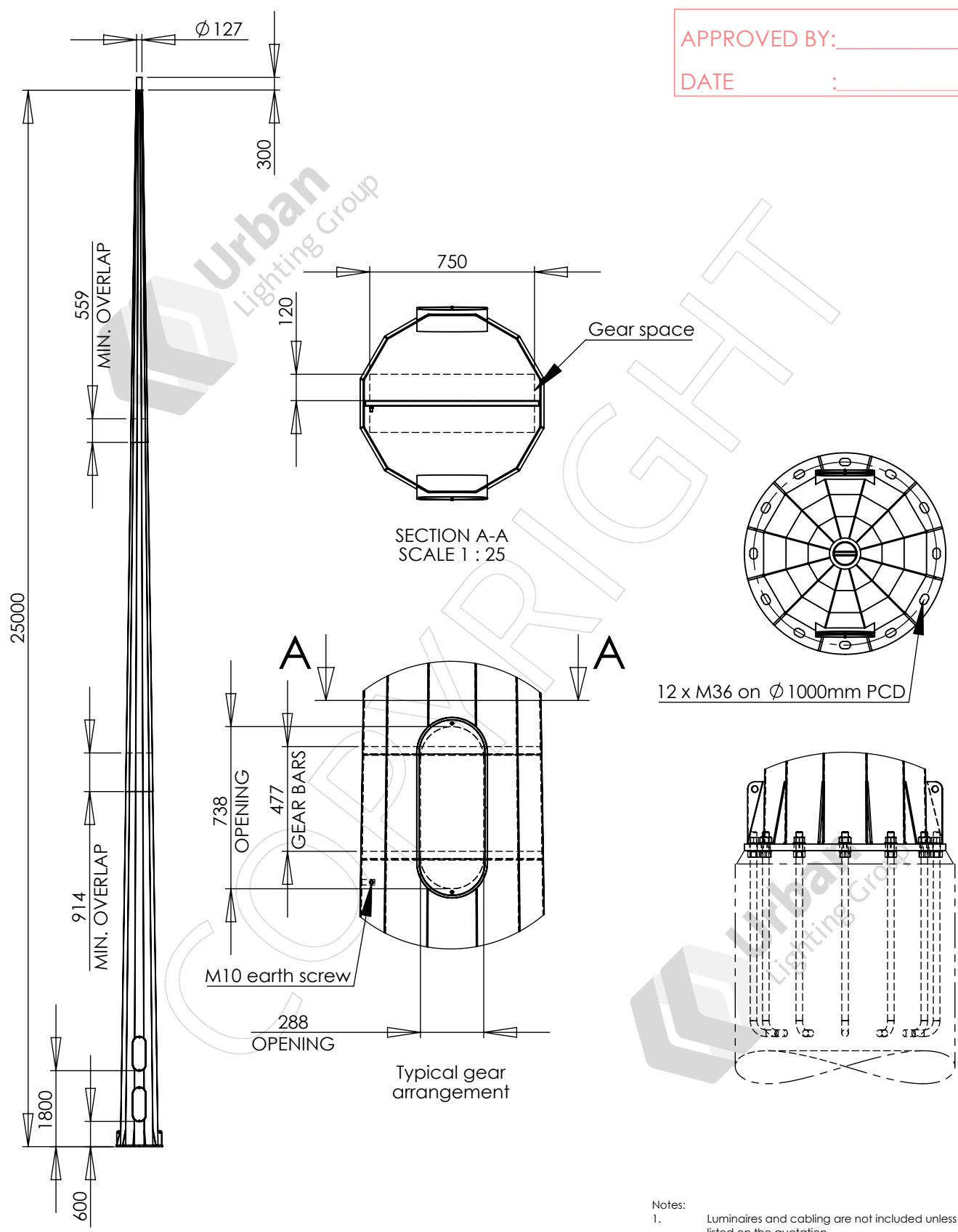



APPROVED BY: _____
 DATE : _____



Notes:
 1. Luminaires and cabling are not included unless specifically listed on the quotation.
 2. See quotation for reinforcing cage and footing details

Designed and manufactured to:
 AS 1798 Lighting poles and arms - Preferred dimensions
 AS/NZS 1170.2 Structural design actions - Part 2: Wind actions
 AS 4100 Steel structures
 AS 4680 Hot-dip galvanized (zinc) coatings
 See DS-3040 for other design standards

PARTS LIST			
ITEM NO.	PART NUMBER	DESCRIPTION	QTY.
1	FL25-D3-127890	25.0m HIGH MAST COLUMN	1
2	FBA-12XM36X1000	FOUNDATION BOLT ASSEMBLY, 12 X M36 ON 1000mm PCD	1

				FL25-D3-127890 column		 Urban Lighting Group Innovative Streetscape Solutions	
				Colour:			
				Luminaires allowed for: 7.2m ² 665kg total load		Urban Lighting Group Pty Ltd ABN 74 638 077 684 28 National Drive, Hallam Victoria 3803 T 1300 088 719 email: sales@urbanlightinggroup.com.au	
1	Initial issue	2022-08-02	KG	Wind loads: Region A, TC 2		Ground loads: M* 482 kNm, V* 30.4 kN	
Rev.	Description	Date	By	Weight: 1801kg		Drawing No. GA-10503	
This drawing is the property of Urban Lighting Group Pty Ltd. No copies may be made without written permission				DO NOT SCALE		Sheet 1 of 1	
						Revision 1	