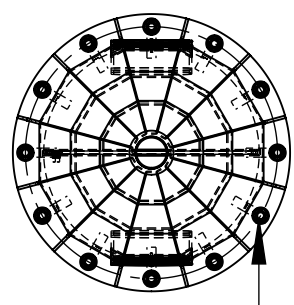
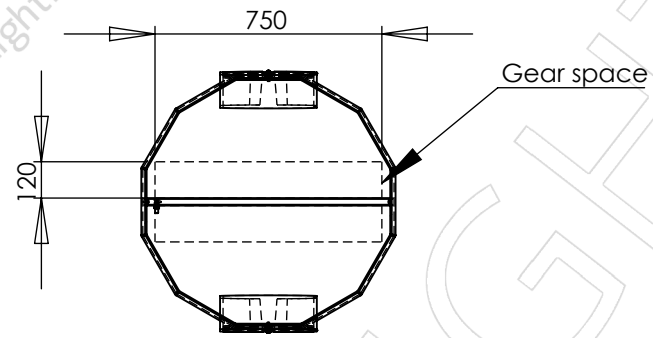
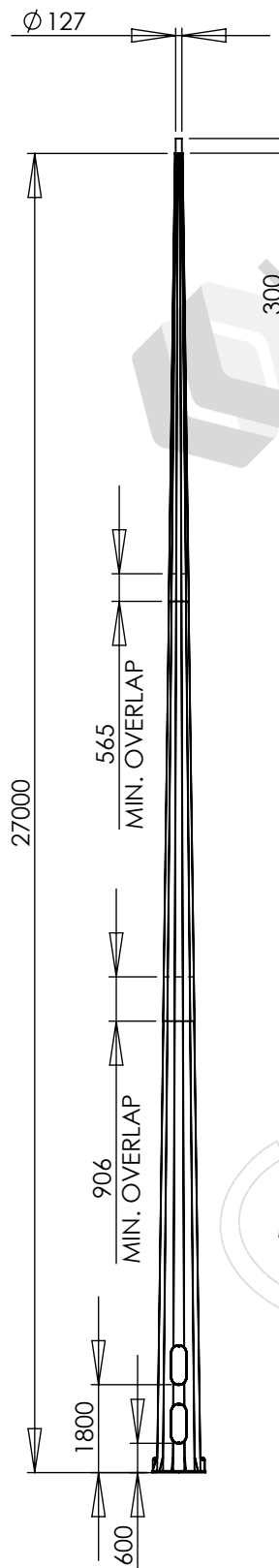
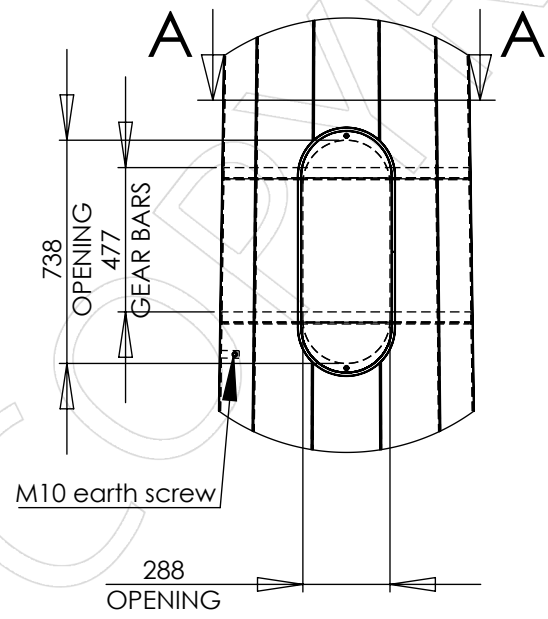


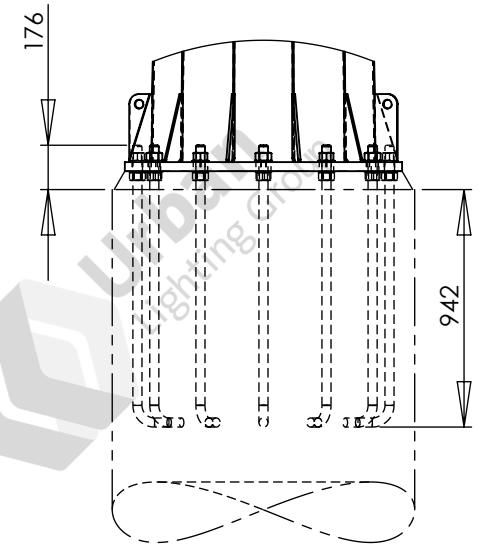
APPROVED BY: \_\_\_\_\_  
 DATE : \_\_\_\_\_



12 x M36 on  $\varnothing$  1000mm PCD



Typical gear arrangement



- Notes:
- Luminaires and cabling are not included unless specifically listed on the quotation.
  - See quotation for reinforcing cage and footing details

Designed and manufactured to:  
 AS 1798 Lighting poles and arms - Preferred dimensions  
 AS/NZS 1170.2 Structural design actions - Part 2: Wind actions  
 AS 4100 Steel structures  
 AS 4680 Hot-dip galvanized (zinc) coatings  
 See DS-3040 for other design standards

PARTS LIST					
ITEM NO.	PART NUMBER	DESCRIPTION	DRAWING NO.	REV.	QTY.
1	FL27-D3-127890	27.0m HIGH MAST LIGHTING COLUMN	ADL-21376	1	1
2	FBA-12XM36X1000	FOUNDATION BOLT ASSEMBLY, 12 X M36 ON 1000mm PCD			1

REV.	DESCRIPTION	DATE	BY
1	INITIAL ISSUE	2022-11-04	KG

FL27-D3-127890 column			
Colour:			
Luminaires allowed for: 8.0m <sup>2</sup> 720kg total load			
Wind loads: Region A, TC 2		Ground loads: M* 607 kNm, V* 35.0 kN	
Weight: 1935kg		DO NOT SCALE	

Urban Lighting Group  
 Innovative Streetscape Solutions

Urban Lighting Group Pty Ltd  
 ABN 74 638 077 684  
 28 National Drive, Hallam Victoria 3803  
 T 1300 088 719  
 email: sales@urbanlightinggroup.com.au

Drawing No. GA-10561  
 Revision 1