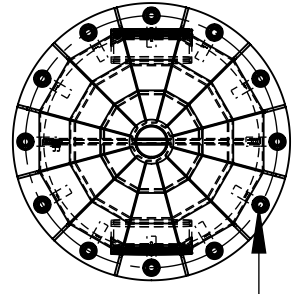
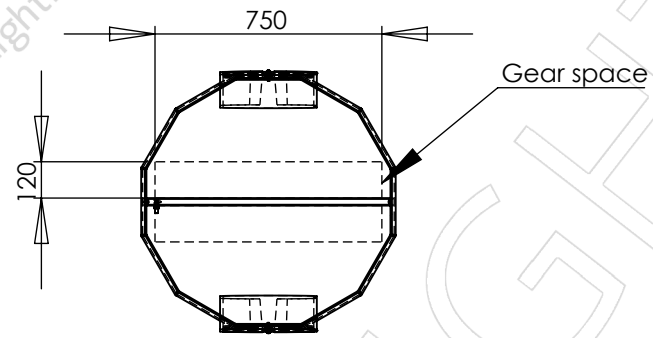
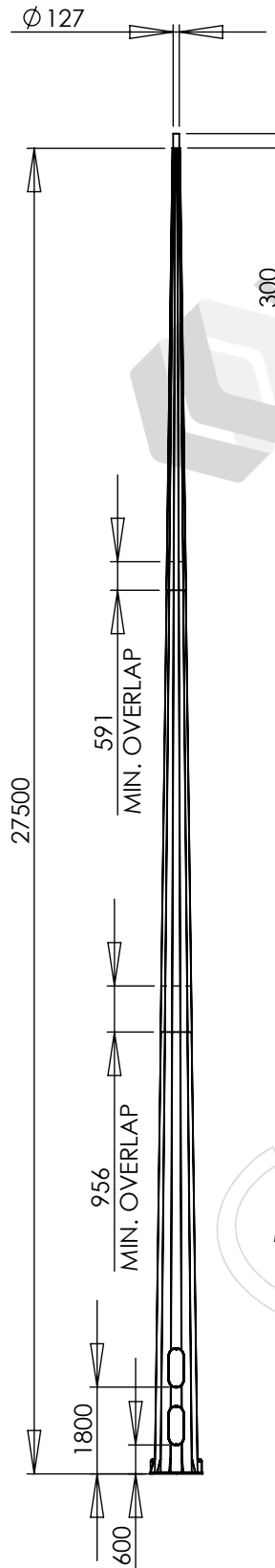
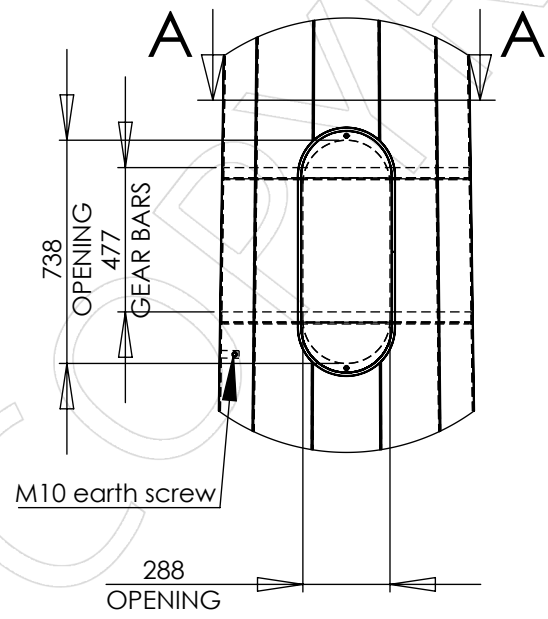


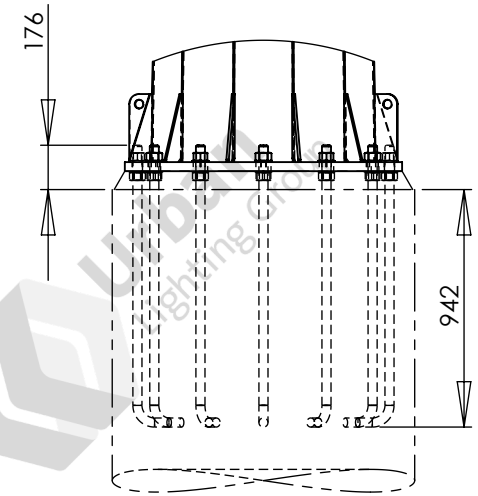
APPROVED BY: _____
 DATE : _____



12 x M36 on \varnothing 1000mm PCD



Typical gear arrangement



- Notes:
- Luminaires and cabling are not included unless specifically listed on the quotation.
 - See quotation for reinforcing cage and footing details

Designed and manufactured to:
 AS 1798 Lighting poles and arms - Preferred dimensions
 AS/NZS 1170.2 Structural design actions - Part 2: Wind actions
 AS 4100 Steel structures
 AS 4680 Hot-dip galvanized (zinc) coatings
 See DS-3040 for other design standards

PARTS LIST					
ITEM NO.	PART NUMBER	DESCRIPTION	DRAWING NO.	REV.	QTY.
1	FL275-D3-127890	27.5m HIGH MAST LIGHTING COLUMN	ADL-20997	2	1
2	FBA-12XM36X1000	FOUNDATION BOLT ASSEMBLY, 12 X M36 ON 1000mm PCD			1

REV.	DESCRIPTION	DATE	BY
1	INITIAL ISSUE	2022-10-31	KG

FL27.5-D3-127890 column			
Colour:			
Luminaires allowed for: 7.2m ² 665kg total load			
Wind loads: Region A, TC 2		Ground loads: M* 590 kNm, V* 34.3 kN	
Weight: 2096kg		DO NOT SCALE	

Urban
Lighting Group
Innovative Streetscape Solutions

Urban Lighting Group Pty Ltd
 ABN 74 638 077 684
 28 National Drive, Hallam Victoria 3803
 T 1300 088 719
 email: sales@urbanlightinggroup.com.au

Drawing No. **GA-10542**
 Revision **1**