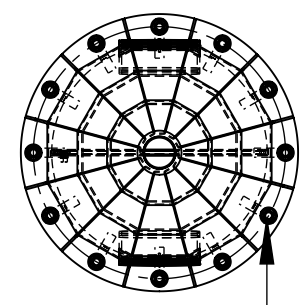
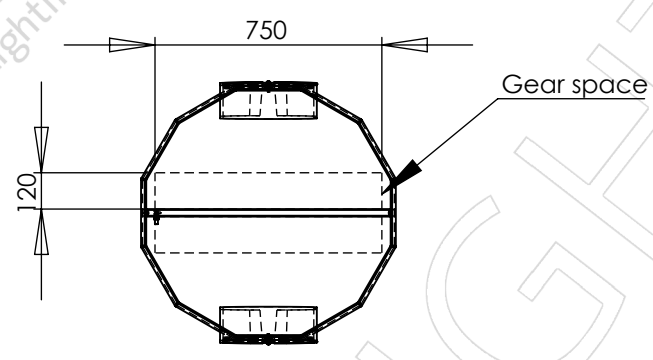
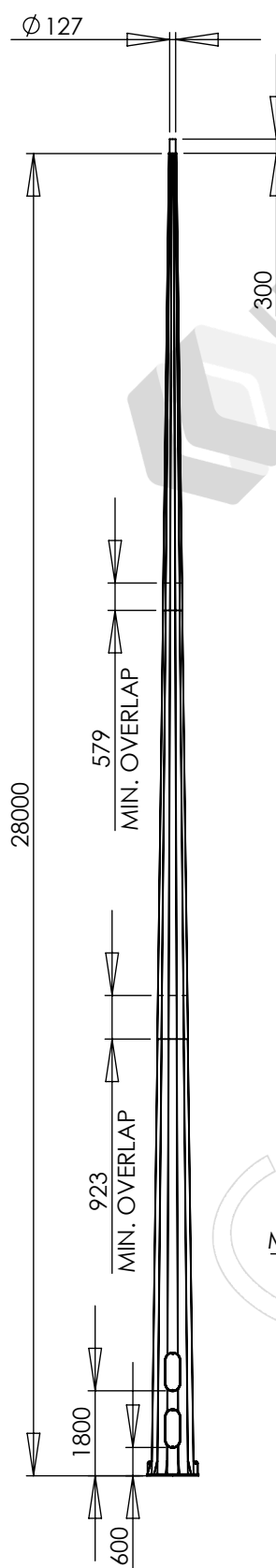
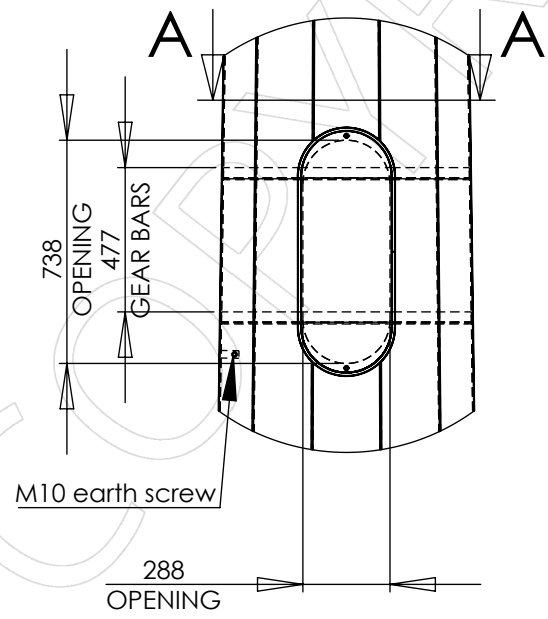


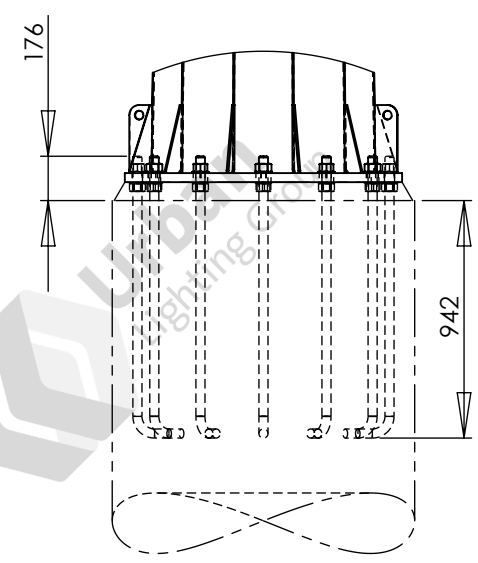
APPROVED BY: _____
 DATE : _____



12 x M36 on \varnothing 1000mm PCD



Typical gear arrangement



- Notes:
- Luminaires and cabling are not included unless specifically listed on the quotation.
 - See quotation for reinforcing cage and footing details

Designed and manufactured to:
 AS 1798 Lighting poles and arms - Preferred dimensions
 AS/NZS 1170.2 Structural design actions - Part 2: Wind actions
 AS 4100 Steel structures
 AS 4680 Hot-dip galvanized (zinc) coatings
 See DS-3040 for other design standards

| PARTS LIST | | | | | |
|------------|-----------------|--|-------------|------|------|
| ITEM NO. | PART NUMBER | DESCRIPTION | DRAWING NO. | REV. | QTY. |
| 1 | FL28-D3-127890 | 28.0m HIGH MAST LIGHTING COLUMN | ADL-21380 | 1 | 1 |
| 2 | FBA-12XM36X1000 | FOUNDATION BOLT ASSEMBLY, 12 X M36 ON 1000mm PCD | | | 1 |

| REV. | DESCRIPTION | DATE | BY |
|------|---------------|------------|----|
| 1 | INITIAL ISSUE | 2022-11-04 | KG |

| | |
|--|--------------------------------------|
| FL28-D3-127890 column | |
| Colour: | |
| Luminaires allowed for: 7.2m ² 665kg total load | |
| Wind loads: Region A, TC 2 | Ground loads: M* 609 kNm, V* 34.9 kN |
| Weight: 1992kg | DO NOT SCALE |

Urban Lighting Group
 Innovative Streetscape Solutions

Urban Lighting Group Pty Ltd
 ABN 74 638 077 684
 28 National Drive, Hallam Victoria 3803
 T 1300 088 719
 email: sales@urbanlightinggroup.com.au

Drawing No. GA-10565
 Revision 1