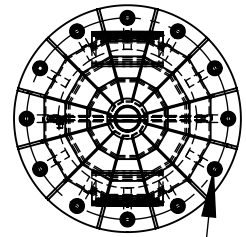
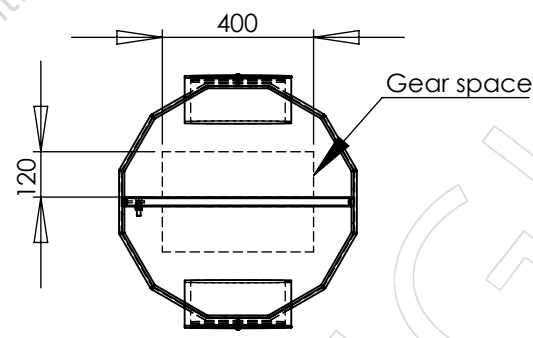
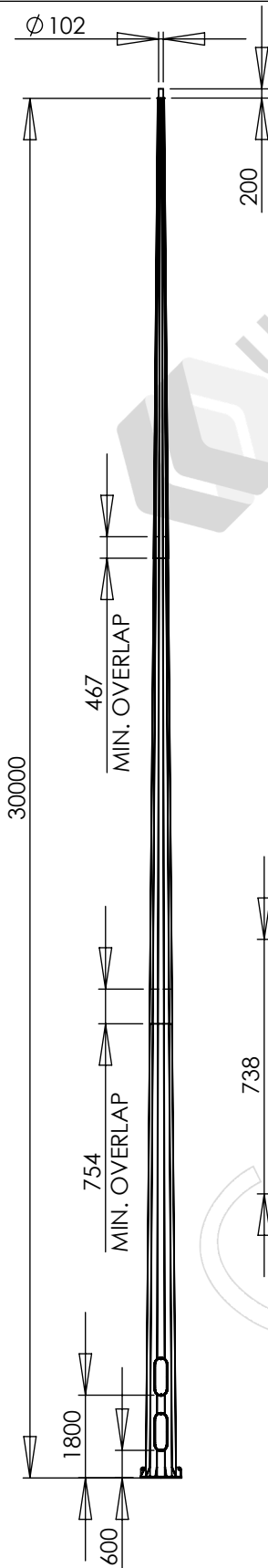
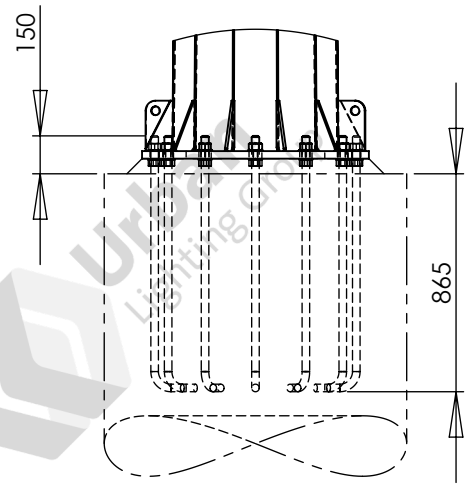
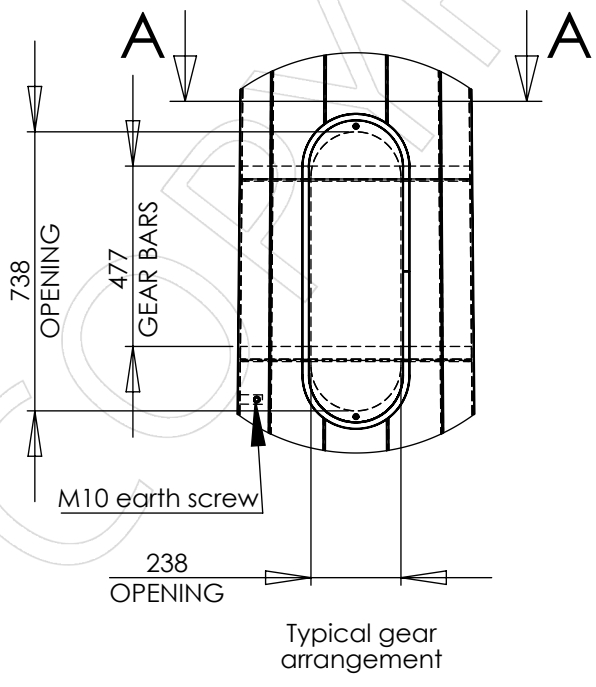


APPROVED BY: _____
 DATE : _____



12 x M30 on \varnothing 800mm PCD



- Notes:
- Luminaires and cabling are not included unless specifically listed on the quotation.
 - See quotation for reinforcing cage and footing details

Designed and manufactured to:
 AS 1798 Lighting poles and arms - Preferred dimensions
 AS/NZS 1170.2 Structural design actions - Part 2: Wind actions
 AS 4100 Steel structures
 AS 4680 Hot-dip galvanized (zinc) coatings
 See DS-3040 for other design standards

| PARTS LIST | | | |
|------------|----------------|---|------|
| ITEM NO. | PART NUMBER | DESCRIPTION | QTY. |
| 1 | FL30-D3-102660 | 30.0m HIGH MAST COLUMN | 1 |
| 2 | FBA-12XM30X800 | FOUNDATION BOLT ASSEMBLY, 12 X M30 ON 800mm PCD | 1 |

| | | | | |
|------|---------------|------------|----|--|
| | | | | FL30-D3-102660 column |
| | | | | Colour: |
| | | | | Luminaires allowed for: 3.7m ² 330kg total load |
| 1 | Initial issue | 2022-08-02 | KG | Wind loads: Region A, TC 2 |
| Rev. | Description | Date | By | Ground loads: M* 450 kNm, V* 25.8 kN |
| | | | | Weight: 1921kg |

Urban Lighting Group
 Innovative Streetscape Solutions

Urban Lighting Group Pty Ltd
 ABN 74 638 077 684
 28 National Drive, Hallam Victoria 3803
 T 1300 088 719
 email: sales@urbanlightinggroup.com.au

Drawing No. GA-10494
 Revision 1