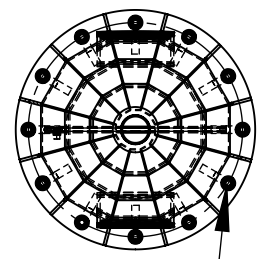
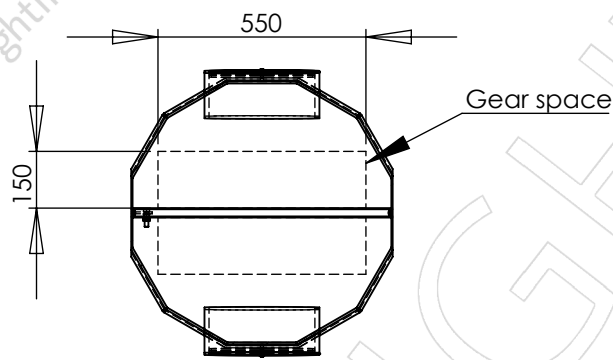
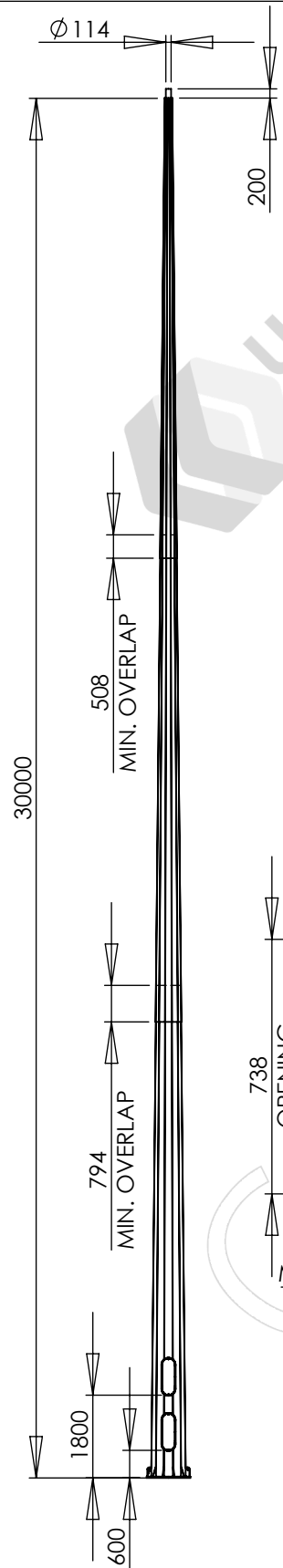
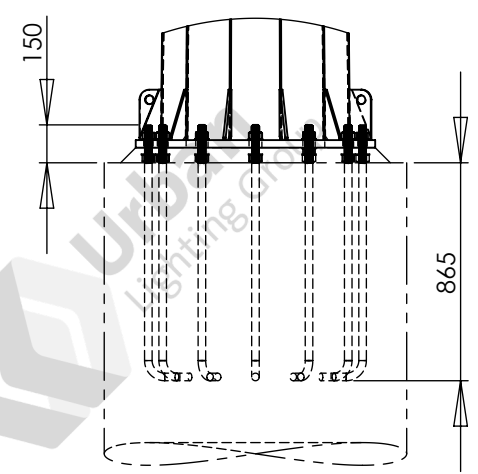
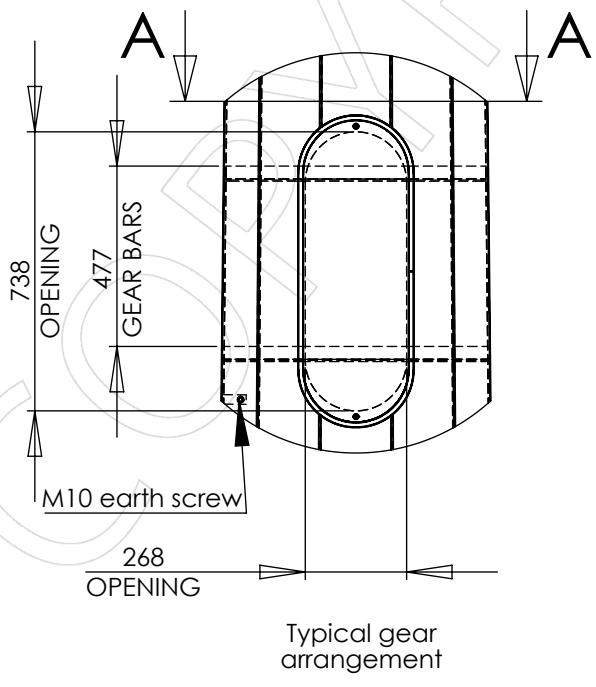


APPROVED BY: \_\_\_\_\_  
 DATE : \_\_\_\_\_




12 x M30 on  $\varnothing$ 850mm PCD



Notes:  
 1. Luminaires and cabling are not included unless specifically listed on the quotation.  
 2. See quotation for reinforcing cage and footing details

Designed and manufactured to:  
 AS 1798 Lighting poles and arms - Preferred dimensions  
 AS/NZS 1170.2 Structural design actions - Part 2: Wind actions  
 AS 4100 Steel structures  
 AS 4680 Hot-dip galvanized (zinc) coatings  
 See DS-3040 for other design standards

PARTS LIST			
ITEM NO.	PART NUMBER	DESCRIPTION	QTY.
1	FL30-D3-114750	30.0m HIGH MAST COLUMN	1
2	FBA-12XM30X850	FOUNDATION BOLT ASSEMBLY, 12 X M30 ON 850mm PCD	1

				FL27.5-D3-114750 column		 Urban Lighting Group Pty Ltd ABN 74 638 077 684 28 National Drive, Hallam Victoria 3803 T 1300 088 719 email: sales@urbanlightinggroup.com.au	
				Colour:			
1 Initial issue				2022-06-06		KG	
Luminaires allowed for: 5.6m <sup>2</sup> 485kg total load				Wind loads: Region A, TC 2		Ground loads: M* 578 kNm, V* 31.5 kN	
Rev. Description				Date		By	
This drawing is the property of Urban Lighting Group Pty Ltd. No copies may be made without written permission				Weight: 2152kg		DO NOT SCALE	
						Sheet 1 of 1	
						A4	
						Drawing No. GA-10484	
						Revision 1	