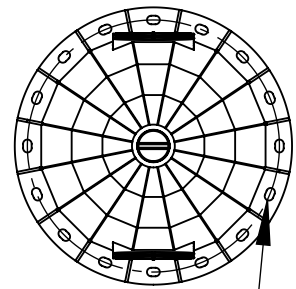
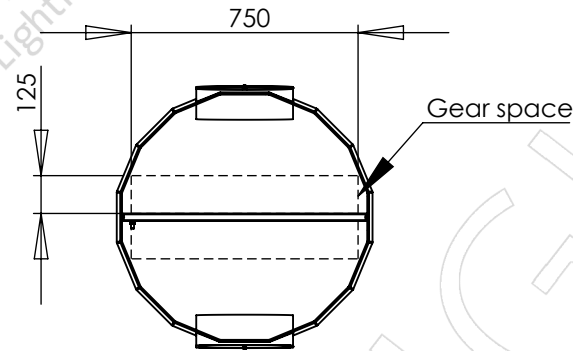
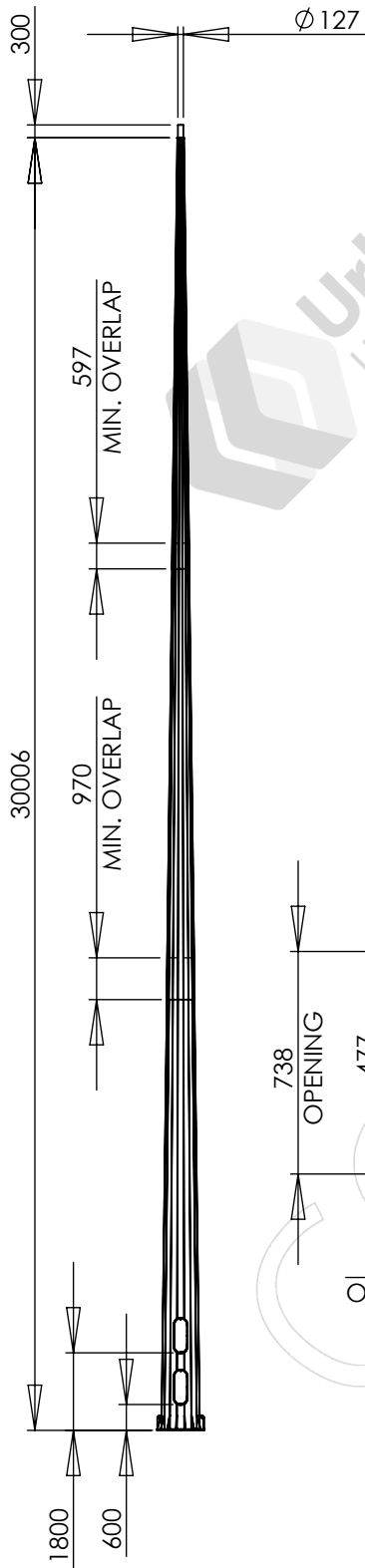
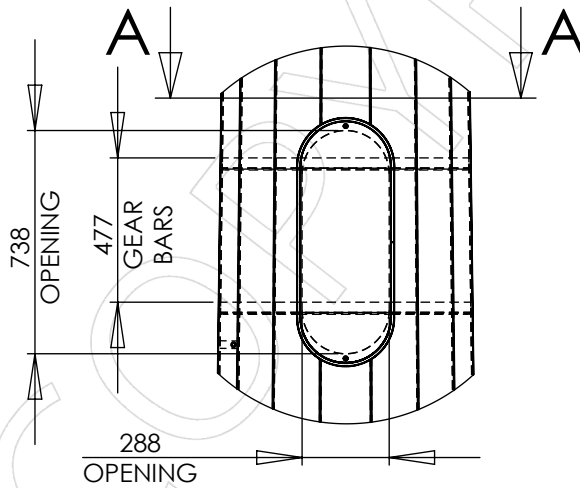


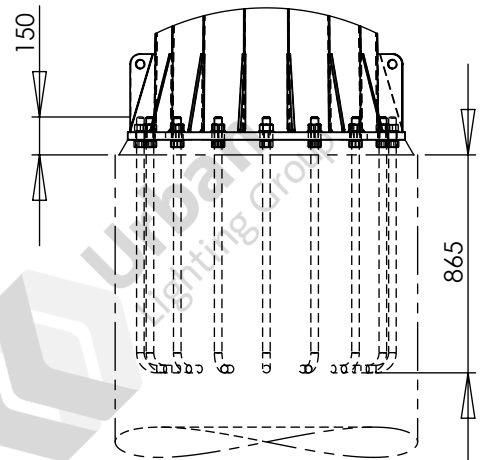
APPROVED BY: _____
 DATE : _____



16 M30 on ϕ 1000mm PCD



Typical gear arrangement



Notes:

- Luminaires and cabling are not included unless specifically listed on the quotation.
- See quotation for reinforcing cage and footing details

Designed and manufactured to:
 AS 1798 Lighting poles and arms - Preferred dimensions
 AS/NZS 1170.2 Structural design actions - Part 2: Wind actions
 AS 4100 Steel structures
 AS 4680 Hot-dip galvanized (zinc) coatings
 See DS-3040 for other design standards

PARTS LIST

ITEM NO.	PART NUMBER	DESCRIPTION	DRAWING NO.	REV.	QTY.
1	FL30-H3-127890	30.0m HIGH MAST LIGHTING COLUMN	ADL-20996	3	1
2	FBA-16XM30X1000	FOUNDATION BOLT ASSEMBLY, 16 X M30 ON 1000mm PCD			1

REV.	DESCRIPTION	DATE	BY
1	INITIAL ISSUE	2022-11-01	KG

FL30-H3-127890 column

Colour:

Luminaires allowed for: 7.2m² 665kg total load

Wind loads: Region A, TC 2

Ground loads: M* 606 kNm, V* 30.9 kN

Weight: 2292kg

DO NOT SCALE

Sheet 1 of 1

A4



Urban Lighting Group Pty Ltd
 ABN 74 638 077 684
 28 National Drive, Hallam Victoria 3803
 T 1300 088 719
 email: sales@urbanlightinggroup.com.au

Drawing No. GA-10544

Revision 1