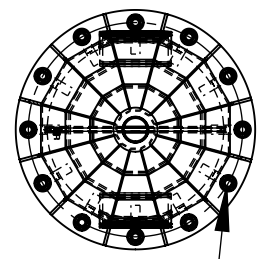
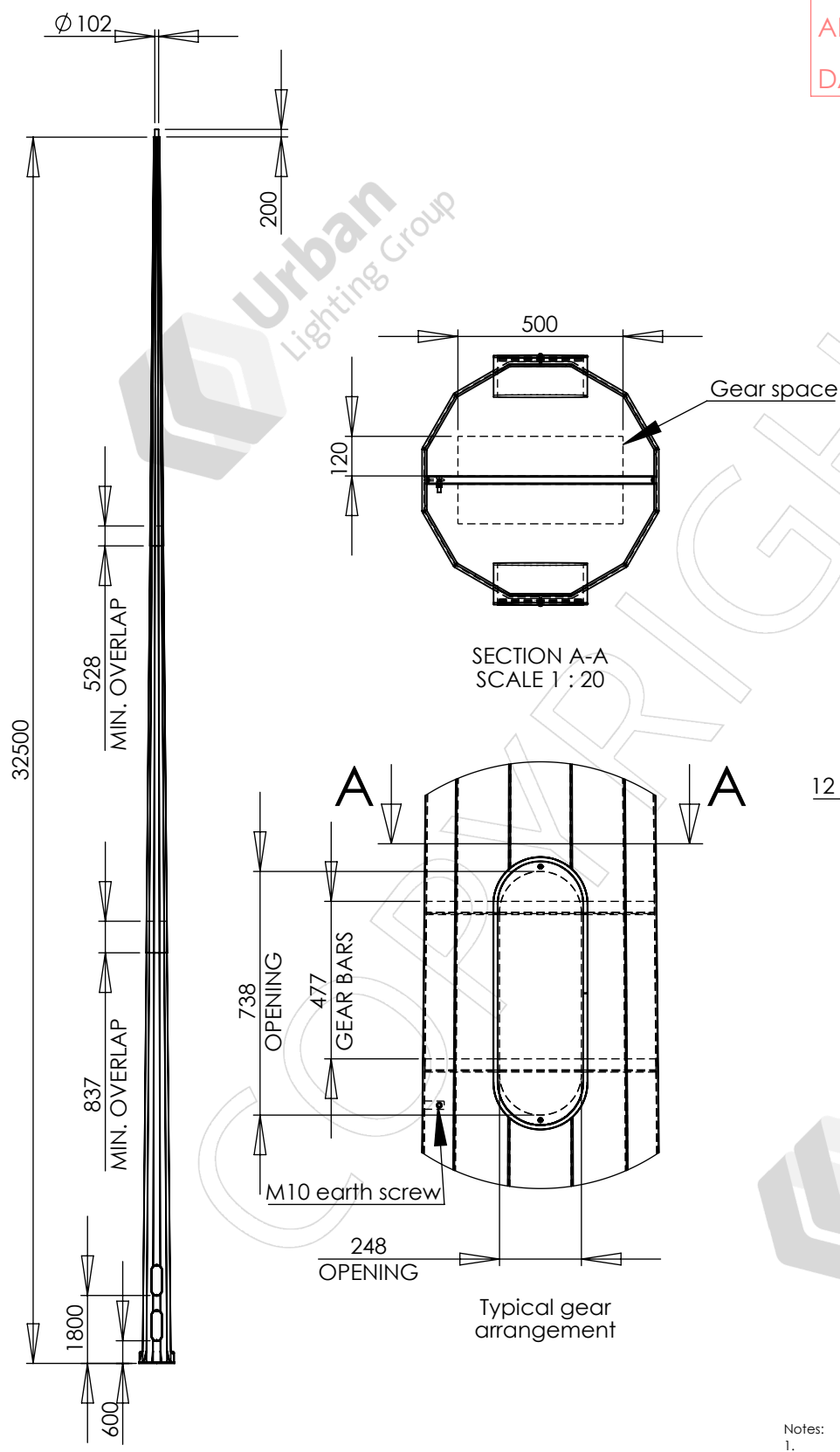
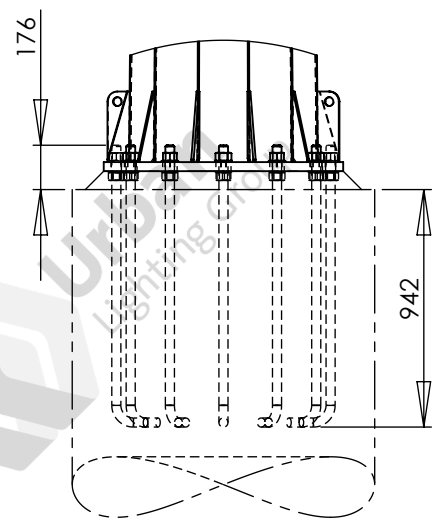


APPROVED BY: _____
 DATE : _____



12 x M36 on \varnothing 850mm PCD



- Notes:
- Luminaires and cabling are not included unless specifically listed on the quotation.
 - See quotation for reinforcing cage and footing details

Designed and manufactured to:
 AS 1798 Lighting poles and arms - Preferred dimensions
 AS/NZS 1170.2 Structural design actions - Part 2: Wind actions
 AS 4100 Steel structures
 AS 4680 Hot-dip galvanized (zinc) coatings
 See DS-3040 for other design standards

PARTS LIST					
ITEM NO.	PART NUMBER	DESCRIPTION	DRAWING NO.	REV.	QTY.
1	FL32.5-D3-102750	32.5m HIGH MAST COLUMN	ADL-21369	1	1
2	FBA-12XM36X850	FOUNDATION BOLT ASSEMBLY, 12 X M36 ON 850mm PCD			1

REV.	DESCRIPTION	DATE	BY
1	INITIAL ISSUE	2022-11-01	KG

FL32.5-D3-102750 column	
Colour:	
Luminaires allowed for: 3.7m ² 330kg total load	
Wind loads: Region A, TC 2	Ground loads: M* 553 kNm, V* 30.5 kN
Weight: 2283kg	DO NOT SCALE
Sheet 1 of 1	A4

Urban Lighting Group
 Innovative Streetscape Solutions

Urban Lighting Group Pty Ltd
 ABN 74 638 077 684
 28 National Drive, Hallam Victoria 3803
 T 1300 088 719
 email: sales@urbanlightinggroup.com.au

Drawing No. GA-10545
 Revision 1