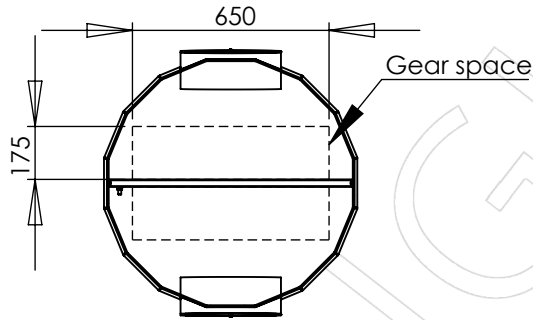
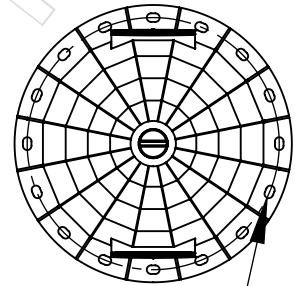


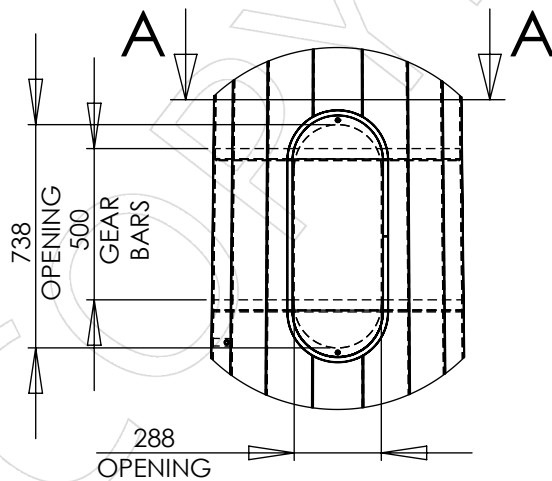
APPROVED BY: \_\_\_\_\_  
 DATE : \_\_\_\_\_



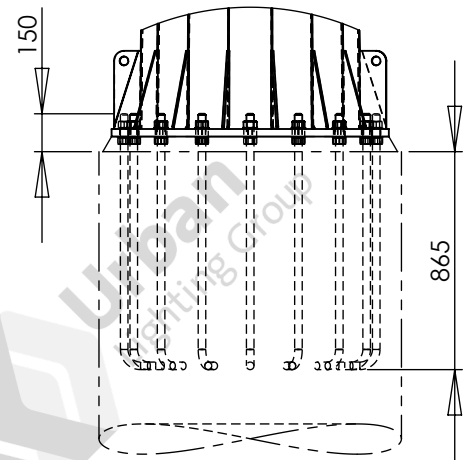
SECTION A-A  
SCALE 1 : 25



16 x M30 on  $\varnothing$  1000mm PCD



Typical gear arrangement



Notes:

- Luminaires and cabling are not included unless specifically listed on the quotation.
- See quotation for reinforcing cage and footing details

Designed and manufactured to:  
 AS 1798 Lighting poles and arms - Preferred dimensions  
 AS/NZS 1170.2 Structural design actions - Part 2: Wind actions  
 AS 4100 Steel structures  
 AS 4680 Hot-dip galvanized (zinc) coatings  
 See DS-3040 for other design standards

PARTS LIST

ITEM NO.	PART NUMBER	DESCRIPTION	DRAWING NO.	REV.	QTY.
1	FL35-H4-114875	35.0m HIGH MAST COLUMN	ADL-21371	1	1
2	FBA-16XM30X1000	FOUNDATION BOLT ASSEMBLY, 16 X M30 ON 1000mm PCD			1

REV.	DESCRIPTION	DATE	BY	FL35-H4-114875 column
1	INITIAL ISSUE	2022-11-02	KG	
Colour:				
Luminaires allowed for: 5.6m <sup>2</sup> 485kg total load				
Wind loads: Region A, TC 2		Ground loads: M* 697 kNm, V* 32.8 kN		
Weight: 2766kg		DO NOT SCALE		

**Urban**  
Lighting Group  
Innovative Streetscape Solutions

Urban Lighting Group Pty Ltd  
 ABN 74 638 077 684  
 28 National Drive, Hallam Victoria 3803  
 T 1300 088 719  
 email: sales@urbanlightinggroup.com.au

Drawing No. **GA-10548**

Revision **1**