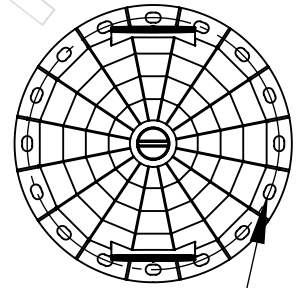
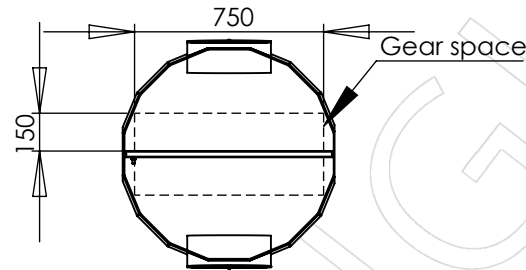
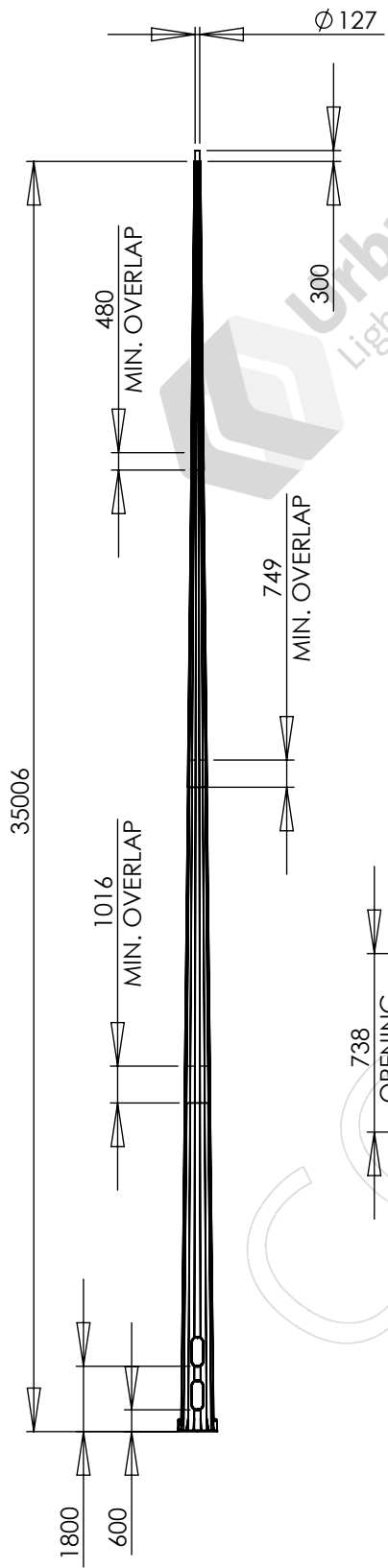
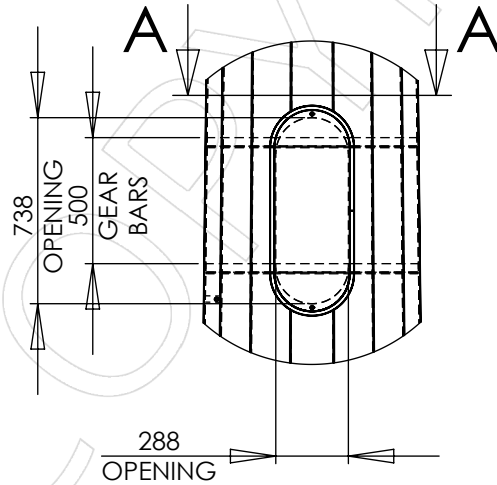


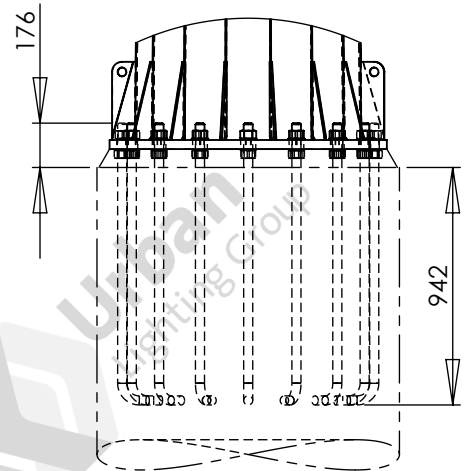
APPROVED BY: _____
 DATE : _____



16 x M30 on \varnothing 1000mm PCD



Typical gear arrangement



Notes:

- Luminaires and cabling are not included unless specifically listed on the quotation.
- See quotation for reinforcing cage and footing details

Designed and manufactured to:
 AS 1798 Lighting poles and arms - Preferred dimensions
 AS/NZS 1170.2 Structural design actions - Part 2: Wind actions
 AS 4100 Steel structures
 AS 4680 Hot-dip galvanized (zinc) coatings
 See DS-3040 for other design standards

PARTS LIST					
ITEM NO.	PART NUMBER	DESCRIPTION	DRAWING NO.	REV.	QTY.
1	FL35-H4-127900	35.0m HIGH MAST COLUMN	ADL-21372	1	1
2	FBA-16XM36X1000	FOUNDATION BOLT ASSEMBLY, 16 X M36 ON 1000mm PCD			1

REV.	DESCRIPTION	DATE	BY
1	INITIAL ISSUE	2022-11-02	KG

FL35-H4-127900 column			
Colour:			
Luminaires allowed for: 7.2m ² 665kg total load			
Wind loads: Region A, TC 2		Ground loads: M* 810 kNm, V* 36.2 kN	
Weight: 3229kg		DO NOT SCALE	

Urban Lighting Group
 Innovative Streetscape Solutions

Urban Lighting Group Pty Ltd
 ABN 74 638 077 684
 28 National Drive, Hallam Victoria 3803
 T 1300 088 719
 email: sales@urbanlightinggroup.com.au

Drawing No. GA-10549
 Revision 1