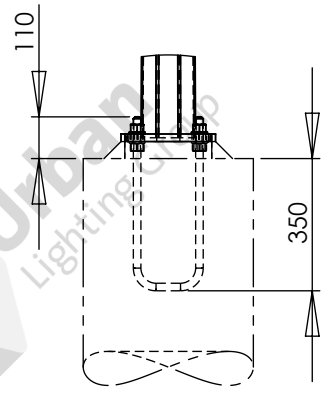
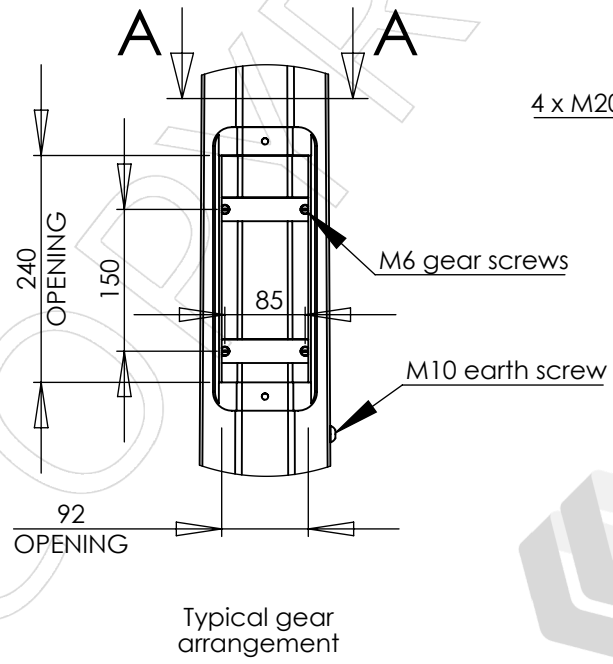
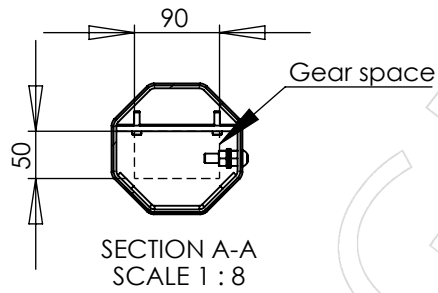
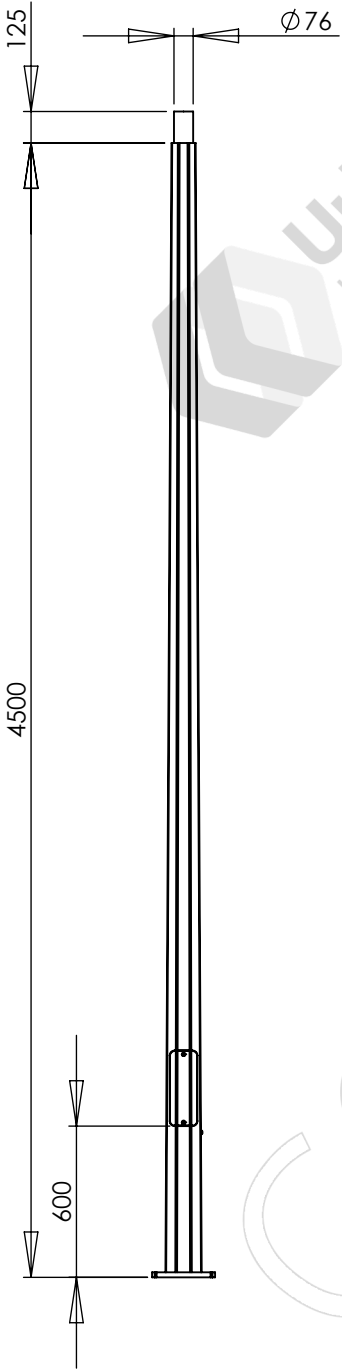


APPROVED BY: _____
 DATE : _____



Notes:
 1. Luminaires and cabling are not included unless specifically listed on the quotation.
 2. See quotation for reinforcing cage and footing details

Designed and manufactured to:
 AS 1798 Lighting poles and arms - Preferred dimensions
 AS/NZS 1170.2 Structural design actions - Part 2: Wind actions
 AS 4100 Steel structures
 AS 4680 Hot-dip galvanized (zinc) coatings
 See DS-3040 for other design standards

PARTS LIST					
ITEM NO.	PART NUMBER	DESCRIPTION	DRAWING NO.	REV.	QTY.
1	FL4.5XL1	4.5m TAPERED OCTAGONAL COLUMN	ADL-20957	1	1
2	UBA-M20X233	U-BOLT ASSEMBLY, M20X233 PCD	ADL-20358	1	1

REV.	DESCRIPTION	DATE	BY	FL4.5XL1 Column		
1	INITIAL ISSUE	2022-11-14	KG			
Colour:						
Luminaires allowed for: 0.6m ² 60kg Total Load						
Wind loads: Region A, TC 2		Ground loads: M* 4.50 kNm, V* 1.36 kN		Drawing No. GA-10580		
Weight: 57kg		DO NOT SCALE		Sheet 1 of 1		A4
This drawing is the property of Urban Lighting Group Pty Ltd. No copies may be made without written permission				Revision		1

Urban
Lighting Group
Innovative Streetscape Solutions

Urban Lighting Group Pty Ltd
 ABN 74 638 077 684
 28 National Drive, Hallam Victoria 3803
 T 1300 088 719
 email: sales@urbanlightinggroup.com.au