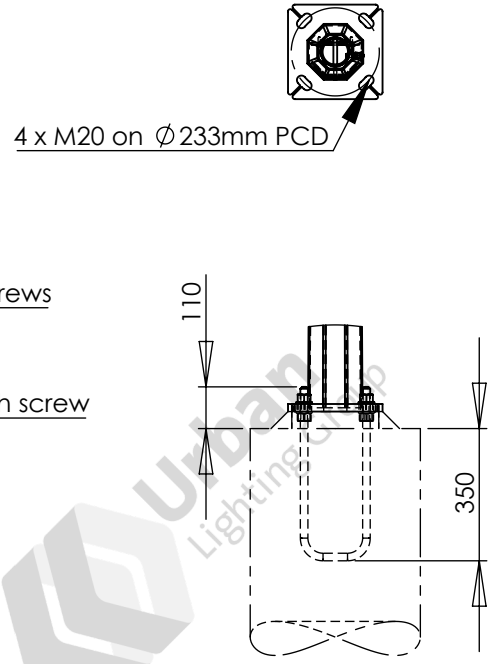
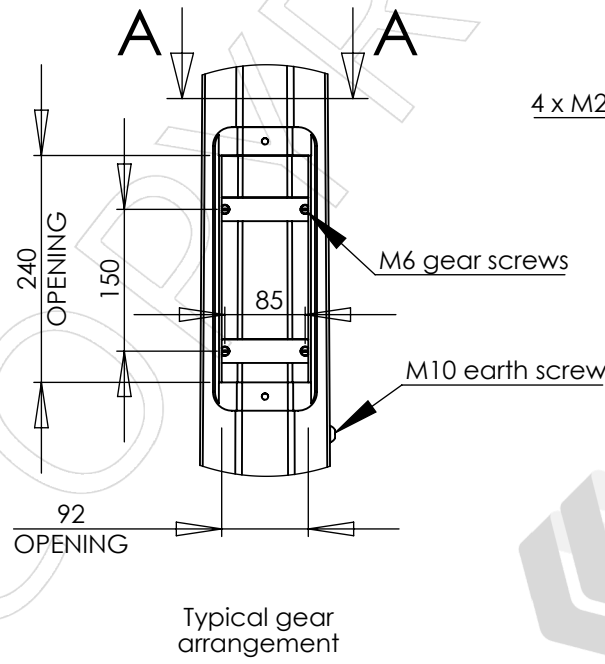
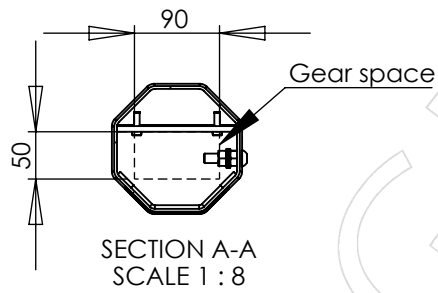
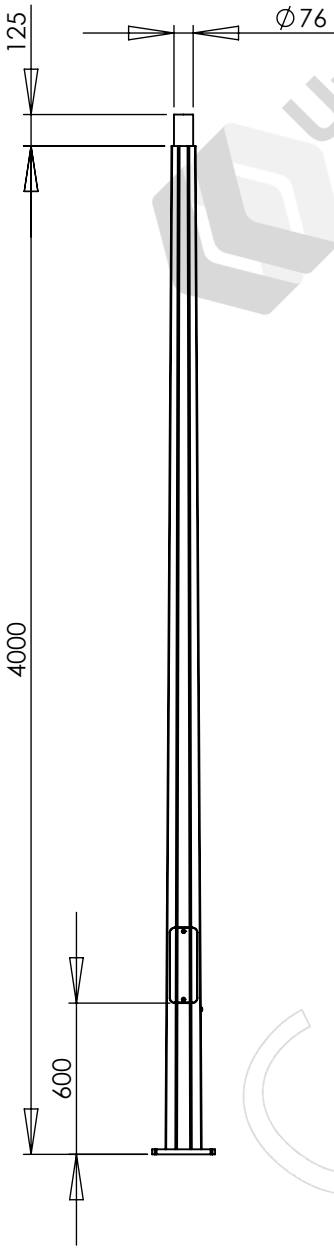



APPROVED BY: \_\_\_\_\_  
 DATE : \_\_\_\_\_



Notes:  
 1. Luminaires and cabling are not included unless specifically listed on the quotation.  
 2. See quotation for reinforcing cage and footing details

Designed and manufactured to:  
 AS 1798 Lighting poles and arms - Preferred dimensions  
 AS/NZS 1170.2 Structural design actions - Part 2: Wind actions  
 AS 4100 Steel structures  
 AS 4680 Hot-dip galvanized (zinc) coatings  
 See DS-3040 for other design standards

PARTS LIST					
ITEM NO.	PART NUMBER	DESCRIPTION	DRAWING NO.	REV.	QTY.
1	FL4XL1	4.0m TAPERED OCTAGONAL COLUMN	ADL-20693	1	1
2	UBA-M20X233	U-BOLT ASSEMBLY, M20X233 PCD	ADL-20358	1	1

REV.	DESCRIPTION	DATE	BY	FL4XL1 Column			 Urban Lighting Group Innovative Streetscape Solutions Urban Lighting Group Pty Ltd ABN 74 638 077 684 28 National Drive, Hallam Victoria 3803 T 1300 088 719 email: sales@urbanlightinggroup.com.au
1	INITIAL ISSUE	2022-11-14	KG				
Colour:							
Luminaires allowed for: 0.6m <sup>2</sup> 60kg Total Load							
Wind loads: Region A, TC 2				Ground loads: M* 3.84 kNm, V* 1.28 kN			Drawing No. GA-10579 rev 1
Weight: 52kg				DO NOT SCALE			Sheet 1 of 1
							Revision 1

This drawing is the property of Urban Lighting Group Pty Ltd.  
 No copies may be made without written permission