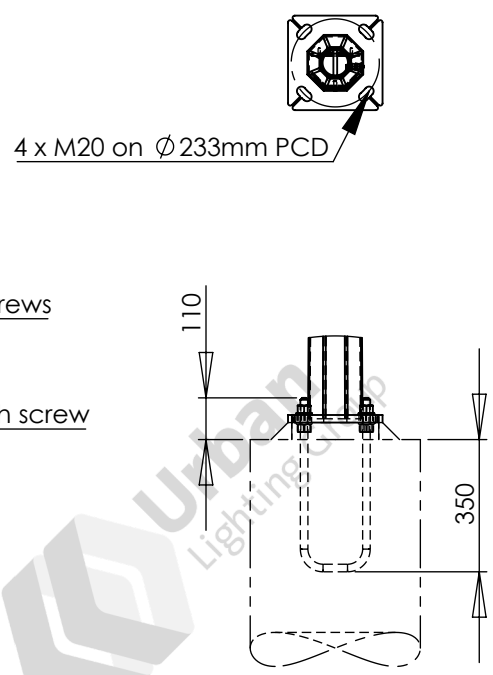
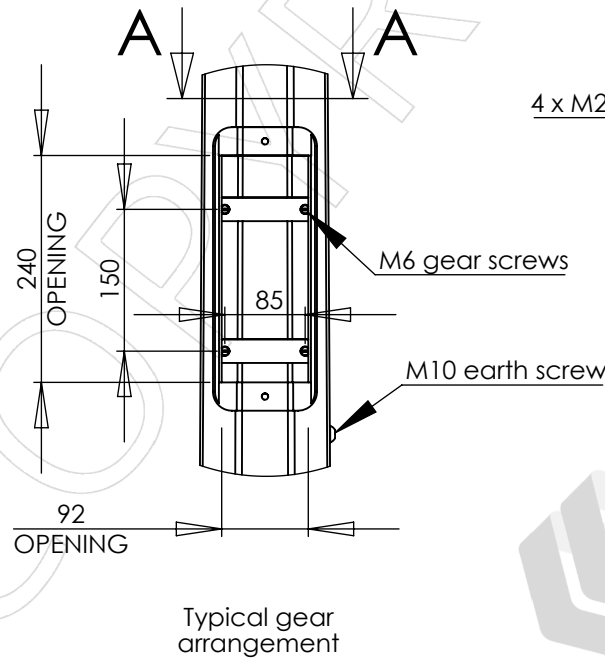
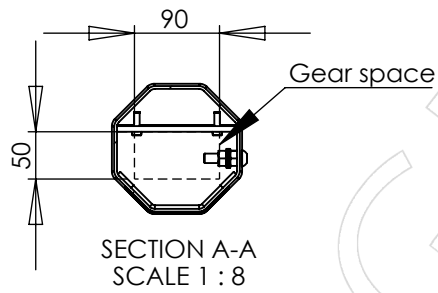



APPROVED BY: _____
 DATE : _____



Notes:
 1. Luminaires and cabling are not included unless specifically listed on the quotation.
 2. See quotation for reinforcing cage and footing details

Designed and manufactured to:
 AS 1798 Lighting poles and arms - Preferred dimensions
 AS/NZS 1170.2 Structural design actions - Part 2: Wind actions
 AS 4100 Steel structures
 AS 4680 Hot-dip galvanized (zinc) coatings
 See DS-3040 for other design standards

PARTS LIST					
ITEM NO.	PART NUMBER	DESCRIPTION	DRAWING NO.	REV.	QTY.
1	FL5XL1	5.0m TAPERED OCTAGONAL COLUMN	ADL-20692	1	1
2	UBA-M20X233	U-BOLT ASSEMBLY, M20X233 PCD	ADL-20358	1	1

REV.	DESCRIPTION	DATE	BY	FL5XL1 Column			 Urban Lighting Group Innovative Streetscape Solutions Urban Lighting Group Pty Ltd ABN 74 638 077 684 28 National Drive, Hallam Victoria 3803 T 1300 088 719 email: sales@urbanlightinggroup.com.au
1	INITIAL ISSUE	2022-11-14	KG				
Colour:							
Luminaires allowed for: 0.6m ² 60kg Total Load							
Wind loads: Region A, TC 2				Ground loads: M* 5.09 kNm, V* 1.41 kN			Drawing No. GA-10581
Weight: 54kg				DO NOT SCALE			Sheet 1 of 1
				A4			Revision 1

This drawing is the property of Urban Lighting Group Pty Ltd.
 No copies may be made without written permission