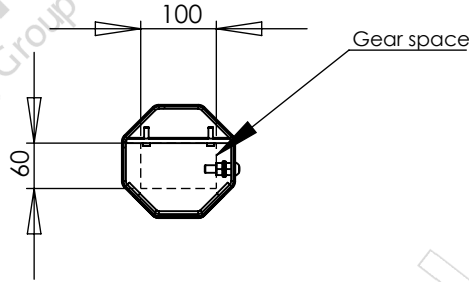
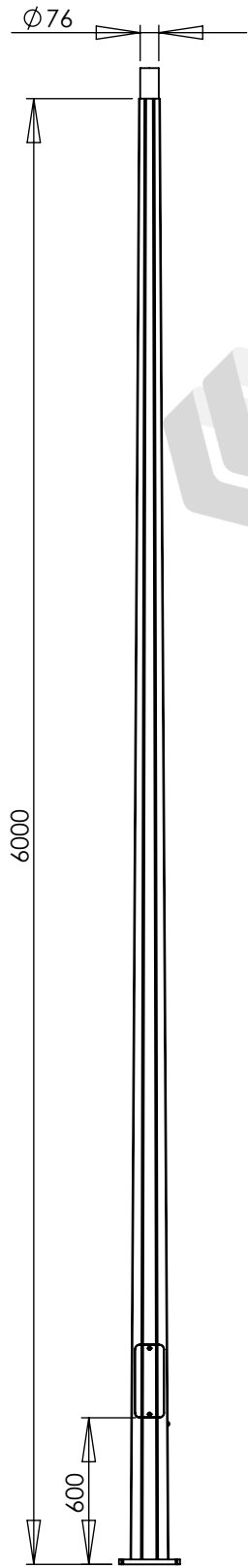
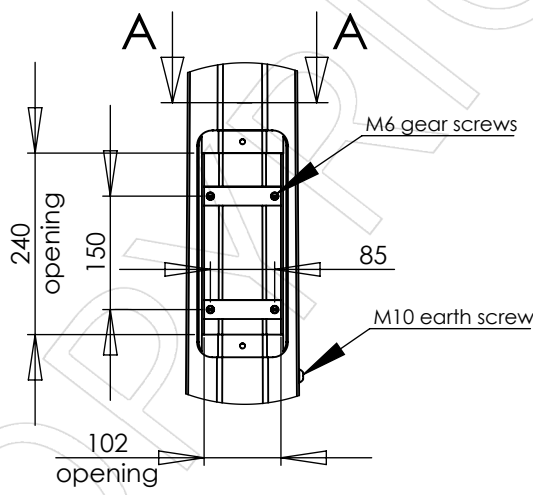


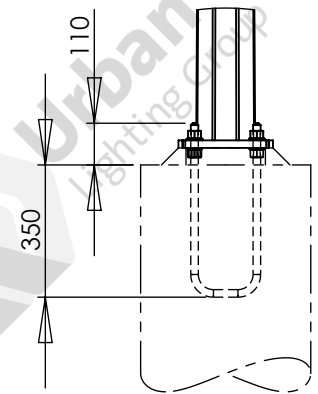
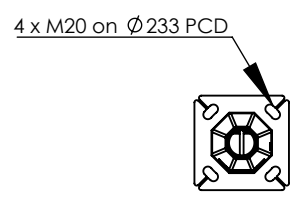
APPROVED BY: _____
 DATE : _____



SECTION A-A
SCALE 1 : 10




Typical gear arrangement



- Notes:
- Luminaires and cabling are not included unless specifically listed on the quotation.
 - See quotation for reinforcing cage and footing details

Designed and manufactured to:
 AS 1798 Lighting poles and arms - Preferred dimensions
 AS/NZS 1170.2 Structural design actions - Part 2: Wind actions
 AS 4100 Steel structures
 AS 4680 Hot-dip galvanized (zinc) coatings
 See DS-3040 for other design standards

Parts List					
ITEM NO.	PART NUMBER	DESCRIPTION	DRAWING NO.	Rev.	QTY.
1	FL6XL1	6.0m Tapered Octagonal Column	ADL-20691	1	1
2	UBA-M20X233	U-bolt Assembly, M20x233 PCD	ADL-20358	1	1

				FL6XL1 Column		 Urban Lighting Group Innovative Streetscape Solutions
				Colour:		
2	Update BOM	2022-11-14	KG	Luminaires allowed for: 0.6m ² 60kg Total Load		Urban Lighting Group Pty Ltd ABN 74 638 077 684 28 National Drive, Hallam Victoria 3803 T 1300 088 719 email: sales@urbanlightinggroup.com.au
1	Initial issue	2021-12-20	KG	Wind loads: Region A, TC 2		Drawing No. GA-10355
Rev.	Description	Date	By	Ground loads: M* 6.83 kNm, V* 1.66 kN		Revision 2
This drawing is the property of Urban Lighting Group Pty Ltd. No copies may be made without written permission				Weight: 66kg	DO NOT SCALE	Sheet 1 of 1 A4