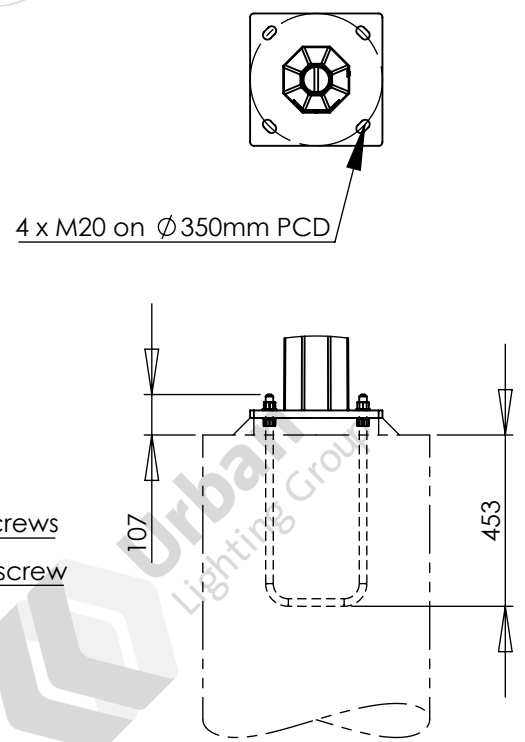
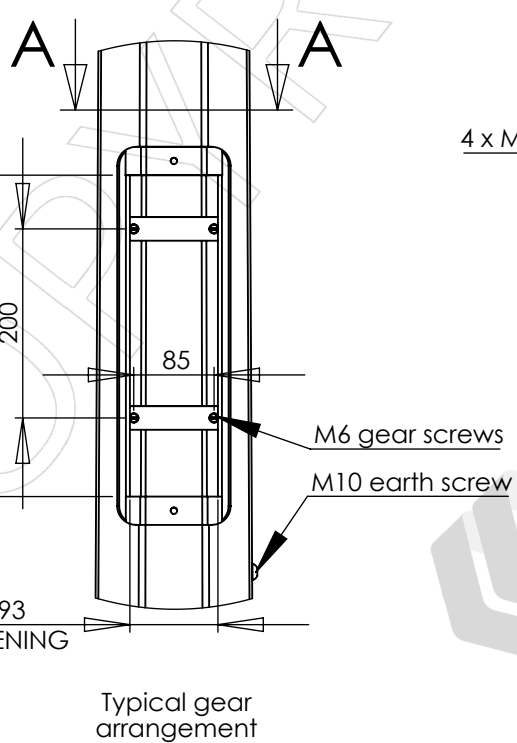
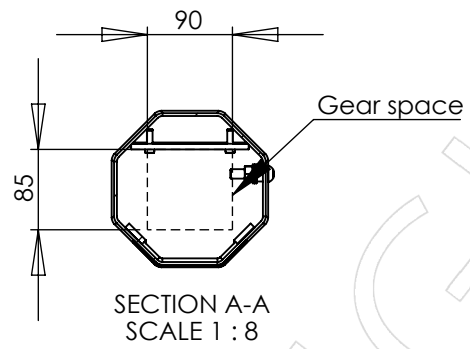
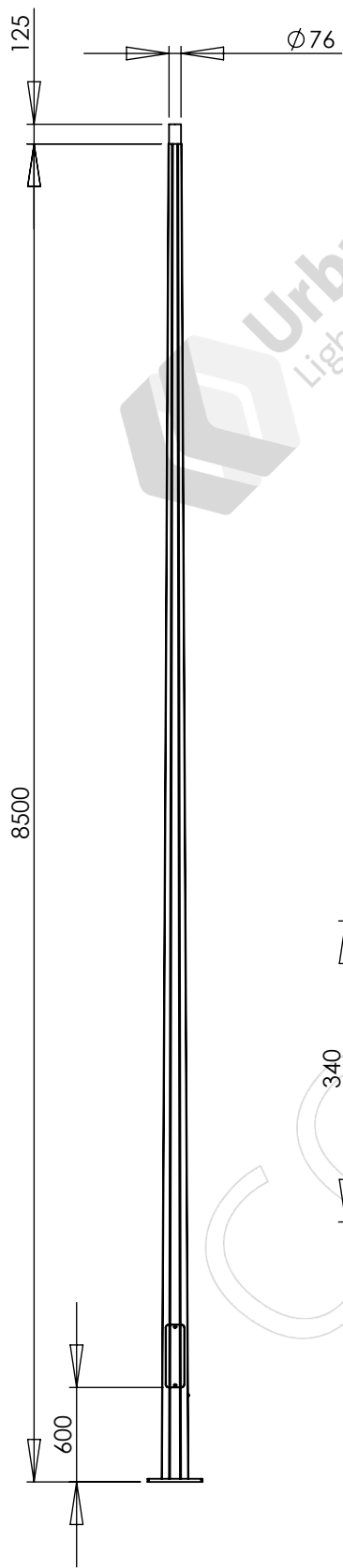


APPROVED BY: _____
 DATE : _____



Notes:
 1. Luminaires and cabling are not included unless specifically listed on the quotation.
 2. See quotation for reinforcing cage and footing details

Designed and manufactured to:
 AS 1798 Lighting poles and arms - Preferred dimensions
 AS/NZS 1170.2 Structural design actions - Part 2: Wind actions
 AS 4100 Steel structures
 AS 4680 Hot-dip galvanized (zinc) coatings
 See DS-3040 for other design standards

PARTS LIST					
ITEM NO.	PART NUMBER	DESCRIPTION	DRAWING NO.	REV.	QTY.
1	FL8.5XL1	8.5m TAPERED OCTAGONAL COLUMN	ADL-21176	1	1
2	UBA-M20X350	U-BOLT ASSEMBLY, M20 X 350	ADL-20312	1	1

REV.	DESCRIPTION	DATE	BY
1	INITIAL ISSUE	2022-11-15	KG

FL8.5XL1 column			
Colour:			
Luminaires allowed for: 0.60m2 60kg total load			
Wind loads: Region A, TC 2		Ground loads: M* 11.9 kNm, V* 2.14 kN	
Weight: kg		DO NOT SCALE	



Urban Lighting Group
 Innovative Streetscape Solutions

Urban Lighting Group Pty Ltd
 ABN 74 638 077 684
 28 National Drive, Hallam Victoria 3803
 T 1300 088 719
 email: sales@urbanlightinggroup.com.au

Drawing No. GA-10583
 Revision 1