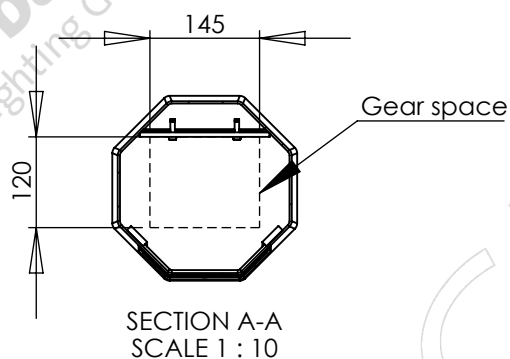
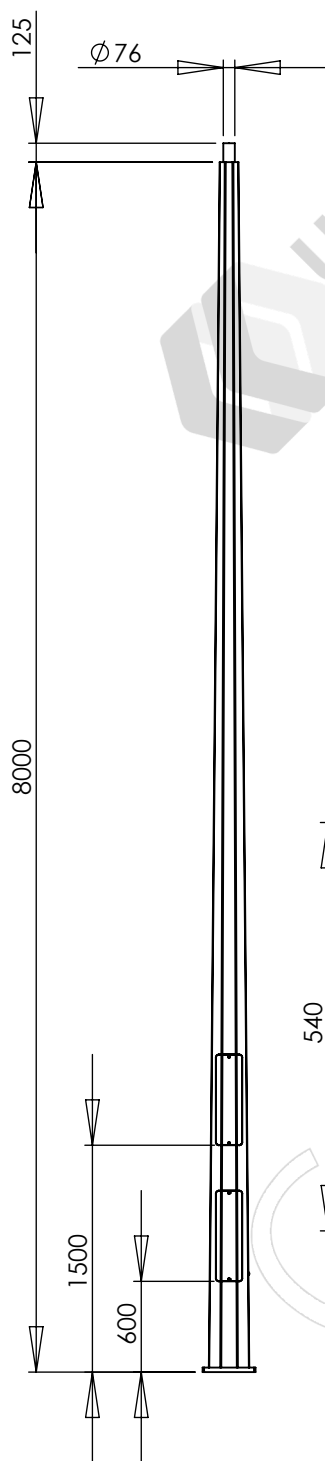
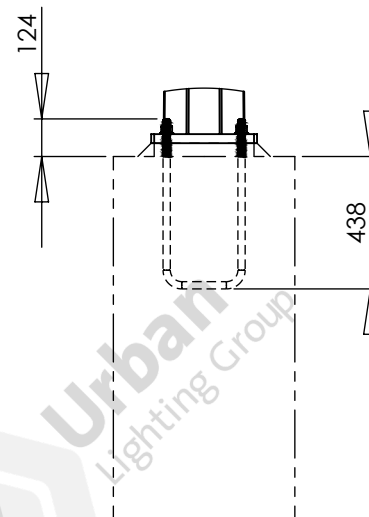
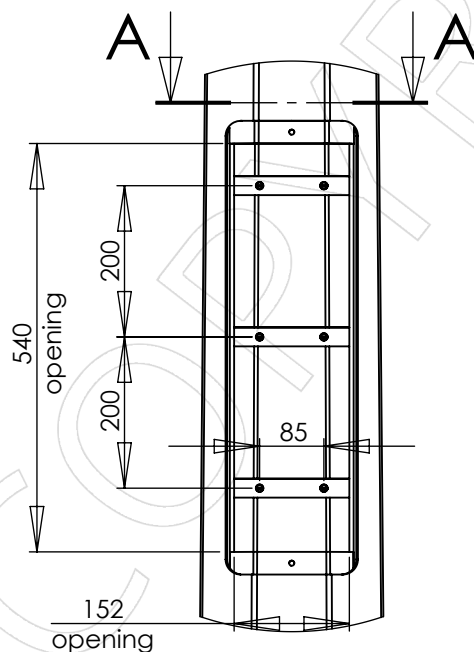


APPROVED BY: \_\_\_\_\_

DATE : \_\_\_\_\_



4 x M24 on Ø 350mm PCD




Notes:

1. Luminaires and cabling are not included unless specifically listed on the quotation.
2. See quotation for reinforcing cage and footing details

Designed and manufactured to:

- AS 1798 Lighting poles and arms - Preferred dimensions
- AS/NZS 1170.2 Structural design actions - Part 2: Wind actions
- AS 4100 Steel structures
- AS 4680 Hot-dip galvanized (zinc) coatings

Parts List					
ITEM NO.	PART NUMBER	DESCRIPTION	DRAWING NO.	Rev.	QTY.
1	FL8L1	8.0m Tapered Octagonal Column	ADL-20612	2	1
2	UBA-M24X350	U-bolt assembly, M24 x 350 PCD	ADL-20299	2	1

				FL8L1 column		 <p>Urban Lighting Group Innovative Streetscape Solutions</p>
				Colour:		
2	Update BOM	2022-11-15	KG	Luminaires allowed for: 1.2m <sup>2</sup> 120kg Total Load		Urban Lighting Group Pty Ltd ABN 74 638 077 684 28 National Drive, Hallam Victoria 3803 T 1300 088 719 email: sales@urbanlightinggroup.com.au
1	Initial issue	2021-11-08	KG	Wind loads: Region A, TC 2		Drawing No. GA-10320
Rev.	Description	Date	By	Ground loads: M* 19.5 kNm, V* 3.62 kN		Revision 2
This drawing is the property of Urban Lighting Group Pty Ltd. No copies may be made without written permission				Lift weight: 161kg	DO NOT SCALE	Sheet 1 of 1 A4