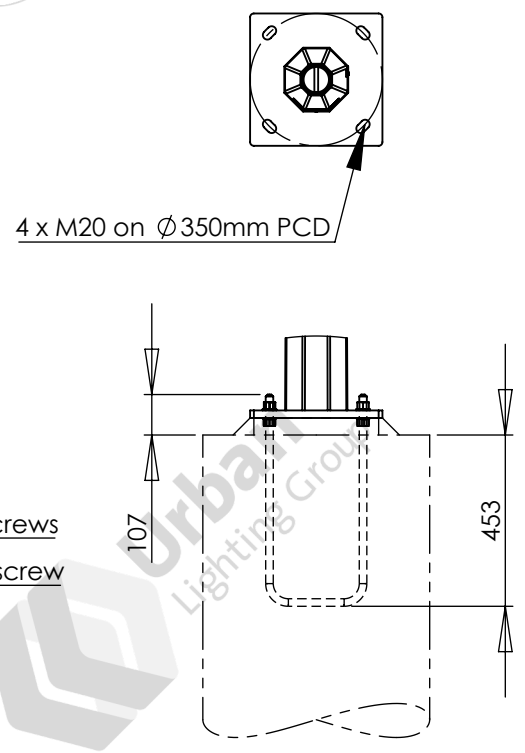
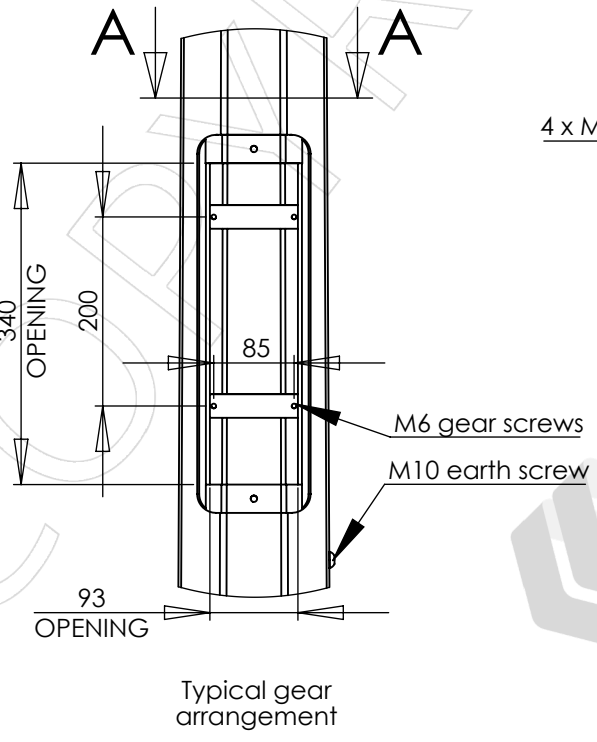
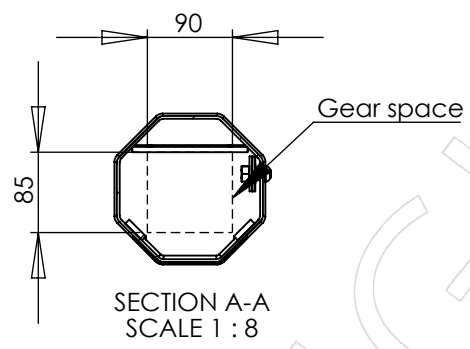
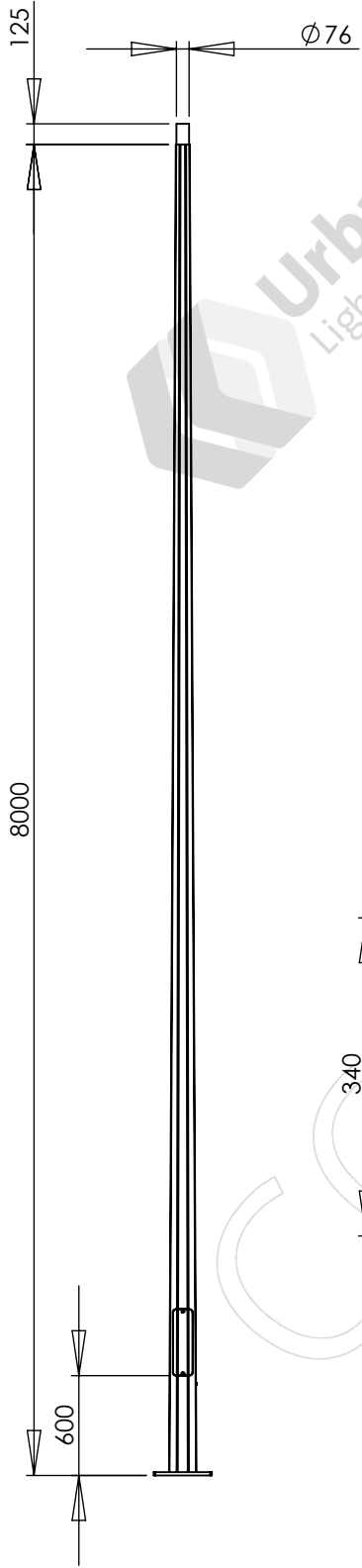



APPROVED BY: _____
 DATE : _____



- Notes:
- Luminaires and cabling are not included unless specifically listed on the quotation.
 - See quotation for reinforcing cage and footing details

Designed and manufactured to:
 AS 1798 Lighting poles and arms - Preferred dimensions
 AS/NZS 1170.2 Structural design actions - Part 2: Wind actions
 AS 4100 Steel structures
 AS 4680 Hot-dip galvanized (zinc) coatings
 See DS-3040 for other design standards

PARTS LIST					
ITEM NO.	PART NUMBER	DESCRIPTION	DRAWING NO.	REV.	QTY.
1	FL8XL1	8.0m TAPERED OCTAGONAL COLUMN	ADL-20297	3	1
2	UBA-M20X350	U-BOLT ASSEMBLY, M20 X 350	ADL-20312	1	1

				FL8XL1 column		 <p>Urban Lighting Group Innovative Streetscape Solutions</p>
				Colour:		
2	Update BOM	2022-11-14		Luminaires allowed for: 0.60m2 60kg total load		Urban Lighting Group Pty Ltd ABN 74 638 077 684 28 National Drive, Hallam Victoria 3803 T 1300 088 719 email: sales@urbanlightinggroup.com.au
1	Initial issue	2022-05-17	KG	Wind loads: Region A, TC 2	Ground loads: M* 11.1 kNm, V* 2.11 kN	
Rev.	Description	Date	By	Weight: kg	DO NOT SCALE	Sheet 1 of 1
This drawing is the property of Urban Lighting Group Pty Ltd. No copies may be made without written permission						A4
						Revision 2