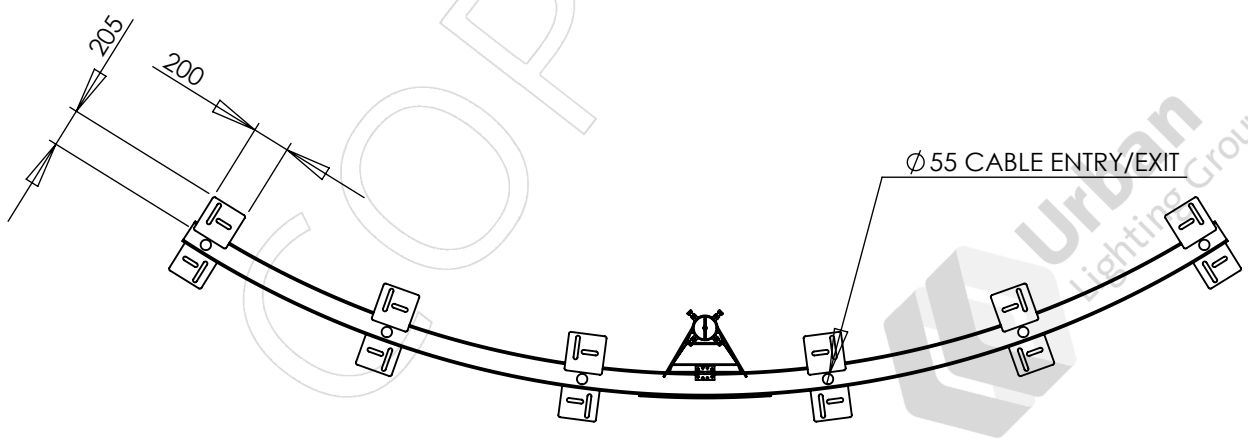
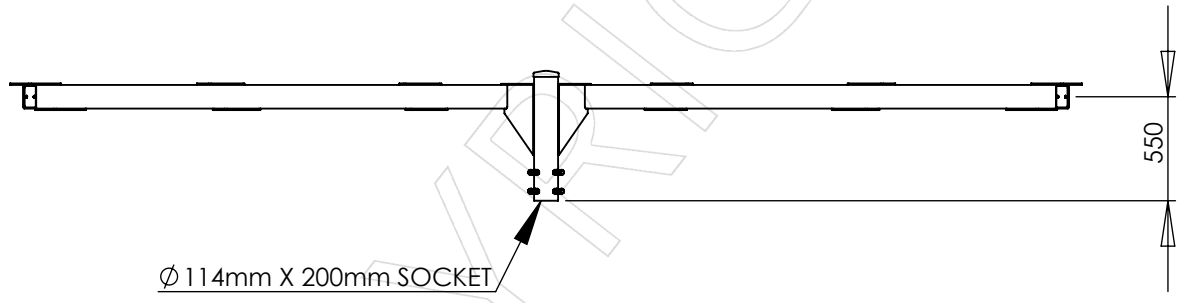
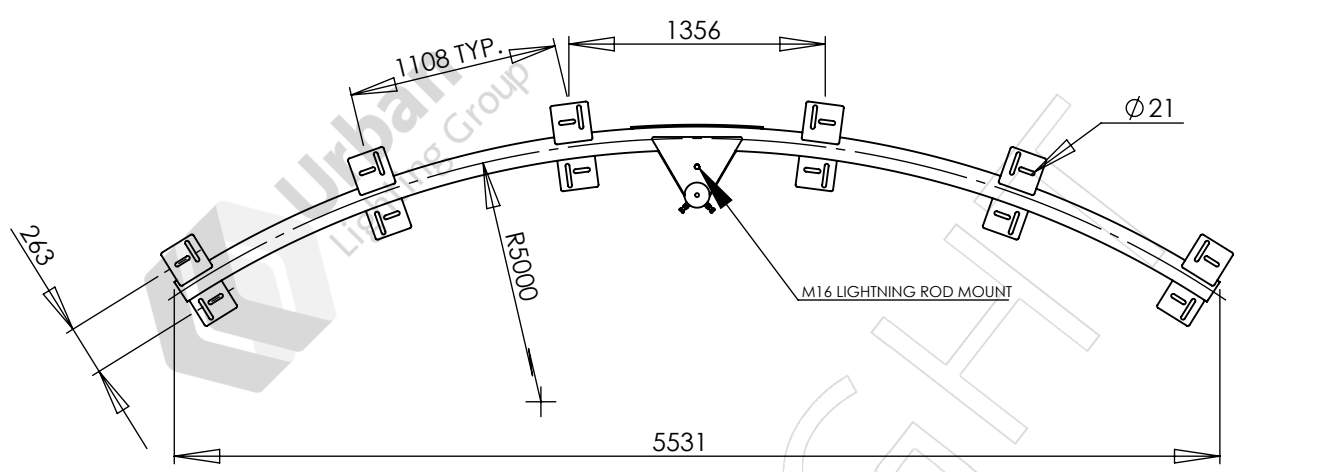


APPROVED BY: _____
 DATE : _____



- Notes:
1. Dual bolt mount accepts luminaire mounts with $\varnothing 20$ holes or slots at 55mm to 100mm pitch. This allows for 45° outward and 20° inward aiming when both bolts are used.
 2. Supplied with M20 x 60mm galvanized luminaire fixing bolts.
 3. Luminaires and cabling are not included unless specifically listed on the quotation.

Designed and manufactured to:
 AS 1798 Lighting poles and arms - Preferred dimensions
 AS/NZS 1170.2 Structural design actions - Part 2: Wind actions
 AS 4100 Steel structures
 AS 4680 Hot-dip galvanized (zinc) coatings
 See DS-3040 for other design standards

PARTS LIST					
ITEM NO.	PART NUMBER	DESCRIPTION	DRAWING NO.	REV.	QTY.
1	HH12C-1060-5.9R5	5.9m 12 WAY CURVED HIGH MAST HEADFRAME	ADL-21015	1	1

REV.	DESCRIPTION	DATE	BY
1	INITIAL ISSUE	2022-11-10	KG

HH12C-1060-5.9R5 headframe			
Colour:			
Maximum load per mount: 12 x 0.75m ² 40kg luminaires			
Wind loads: Region A, TC 2		Headframe / bracket ESA: 1.04m ²	
Weight: 155kg		DO NOT SCALE	
		Sheet 1 of 1	
		A4	



Urban Lighting Group
 Innovative Streetscape Solutions

Urban Lighting Group Pty Ltd
 ABN 74 638 077 684
 28 National Drive, Hallam Victoria 3803
 T 1300 088 719
 email: sales@urbanlightinggroup.com.au

Drawing No. **GA-10576**
 Revision **1**