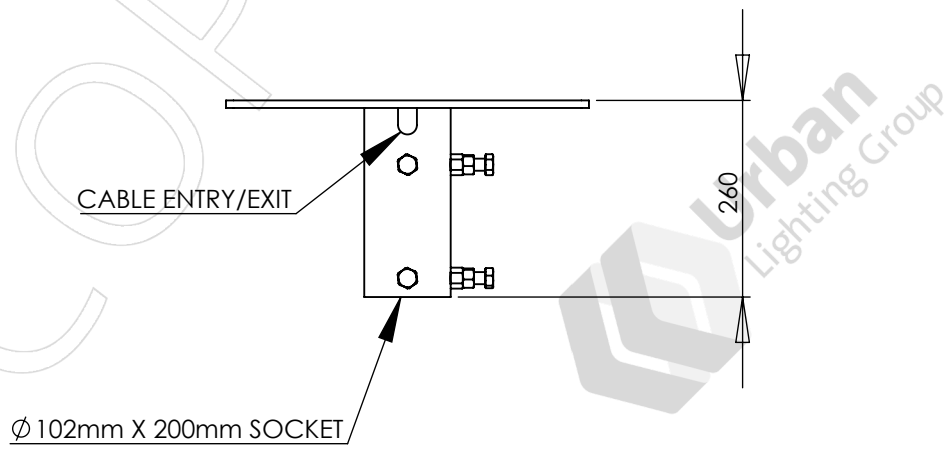
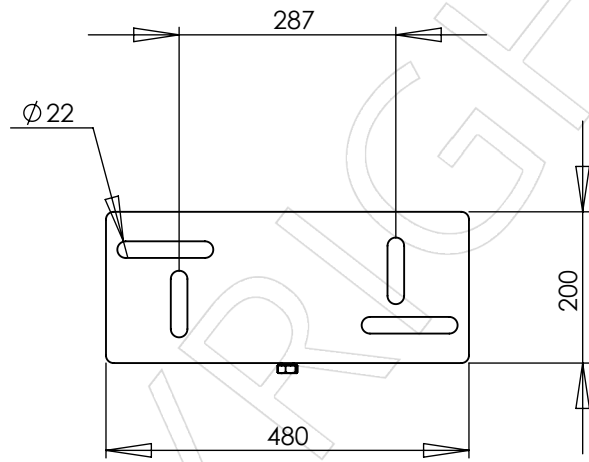


APPROVED BY: _____
 DATE : _____



- Notes:
1. Dual bolt mount accepts luminaire mounts with $\phi 20$ holes or slots at 55mm to 100mm pitch. This allows for 45° left and 20° right aiming when both bolts are used.
 2. Supplied with M20 x 60mm galvanized luminaire fixing bolts.
 3. Luminaires and cabling are not included unless specifically listed on the quotation.

Designed and manufactured to:
 AS 1798 Lighting poles and arms - Preferred dimensions
 AS/NZS 1170.2 Structural design actions - Part 2: Wind actions
 AS 4100 Steel structures
 AS 4680 Hot-dip galvanized (zinc) coatings
 See DS-3040 for other design standards

PARTS LIST					
ITEM NO.	PART NUMBER	DESCRIPTION	DRAWING NO.	REV.	QTY.
1	HH2S	HEADFRAME, BACK TO BACK	ADL-21034	1	1

REV.	DESCRIPTION	DATE	BY	HH2S 2 Way High Mast Back to Back Headframe
1	INITIAL ISSUE	2022-11-08	KG	
Colour:				
Maximum load per mount: 2 x 0.75m ² 50kg luminaires				
Wind loads: Region A, TC 2		Headframe / bracket ESA: 0.04m ²		
Weight: 12kg		DO NOT SCALE	Sheet 1 of 1	A4

Urban Lighting Group
 Innovative Streetscape Solutions

Urban Lighting Group Pty Ltd
 ABN 74 638 077 684
 28 National Drive, Hallam Victoria 3803
 T 1300 088 719
 email: sales@urbanlightinggroup.com.au

Drawing No. GA-10550
 Revision 1