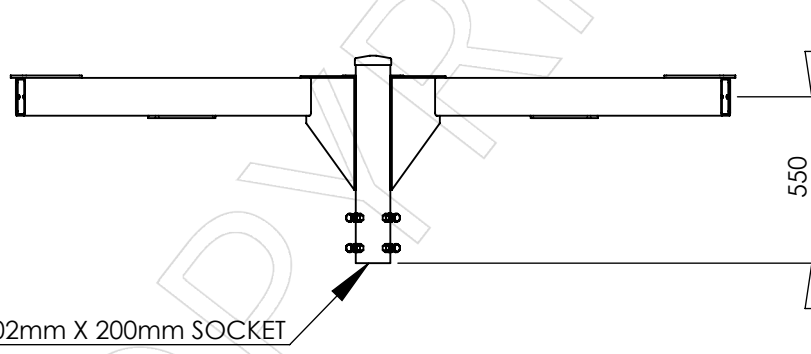
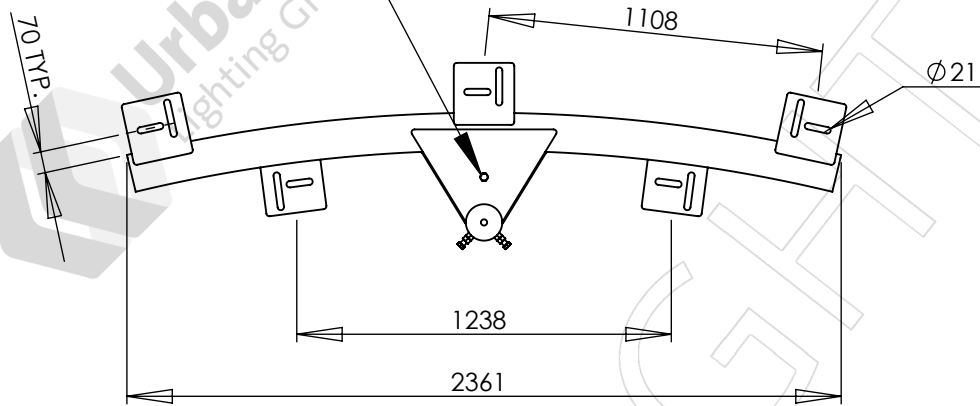
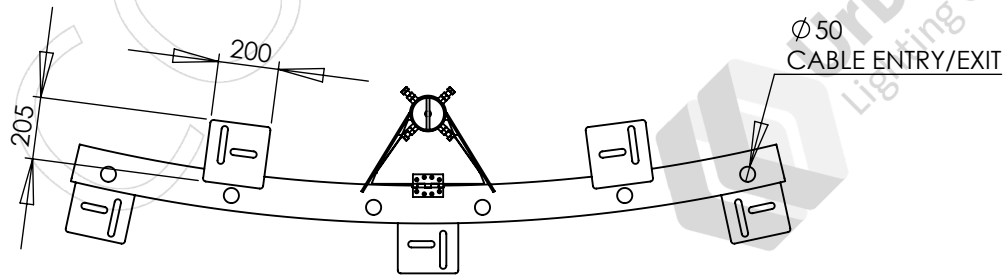


APPROVED BY: _____
 DATE : _____

M16 LIGHTNING ROD MOUNT



Ø 102mm X 200mm SOCKET



Ø 50
CABLE ENTRY/EXIT

Notes:

1. Dual bolt mount accepts luminaire mounts with Ø20 holes or slots at 55mm to 100mm pitch. This allows for 45° outward and 20° inward aiming when both bolts are used.
2. Supplied with M20 x 60mm galvanized luminaire fixing bolts.
3. Luminaires and cabling are not included unless specifically listed on the quotation.

Designed and manufactured to:

- AS 1798 Lighting poles and arms - Preferred dimensions
- AS/NZS 1170.2 Structural design actions - Part 2: Wind actions
- AS 4100 Steel structures
- AS 4680 Hot-dip galvanized (zinc) coatings
- See DS-3040 for other design standards

PARTS LIST

ITEM NO.	PART NUMBER	DESCRIPTION	DRAWING NO.	REV.	QTY.
1	HH5C-1060-2.4R5	2.4m 5 WAY CURVED HIGH MAST HEADFRAME	ADL-21381	1	1

REV.	DESCRIPTION	DATE	BY
1	INITIAL ISSUE	2022-11-09	KG

HH5C-1060-2.4R5 headframe	
Colour:	
Maximum load per mount: 5 x 0.75m ² 50kg luminaires	
Wind loads: Region A, TC 2	Headframe / bracket ESA: 0.621m ²
Weight: kg	DO NOT SCALE



Urban Lighting Group
 Innovative Streetscape Solutions

Urban Lighting Group Pty Ltd
 ABN 74 638 077 684
 28 National Drive, Hallam Victoria 3803
 T 1300 088 719
 email: sales@urbanlightinggroup.com.au

Drawing No. GA-10572
 Revision 1