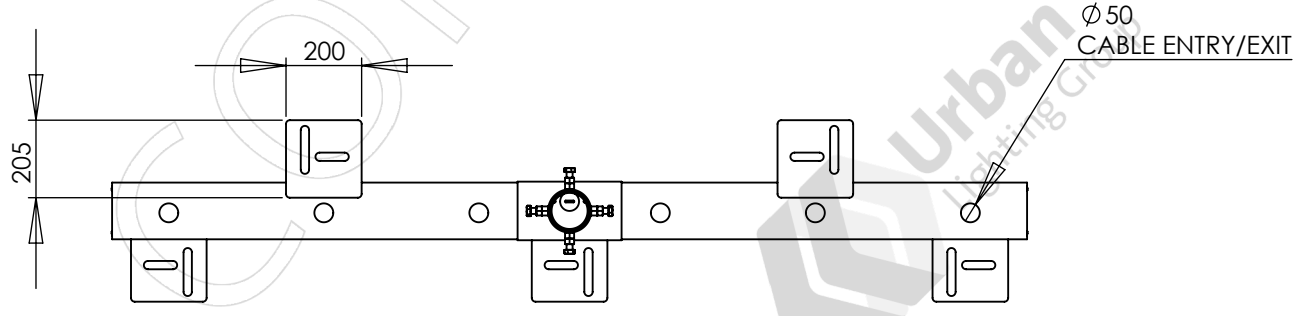
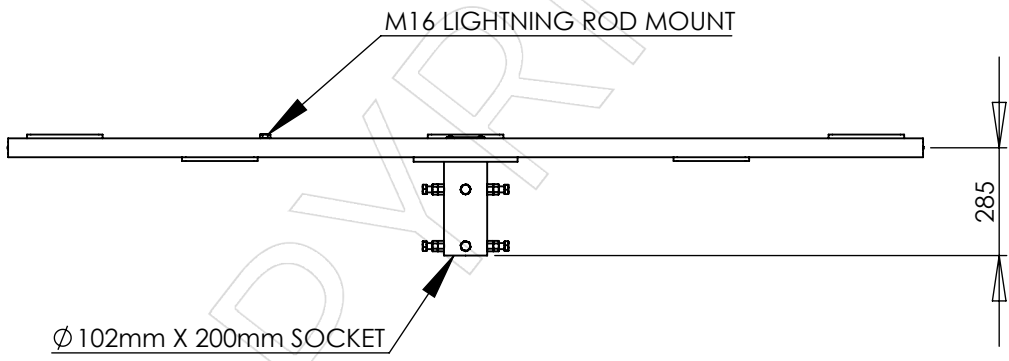
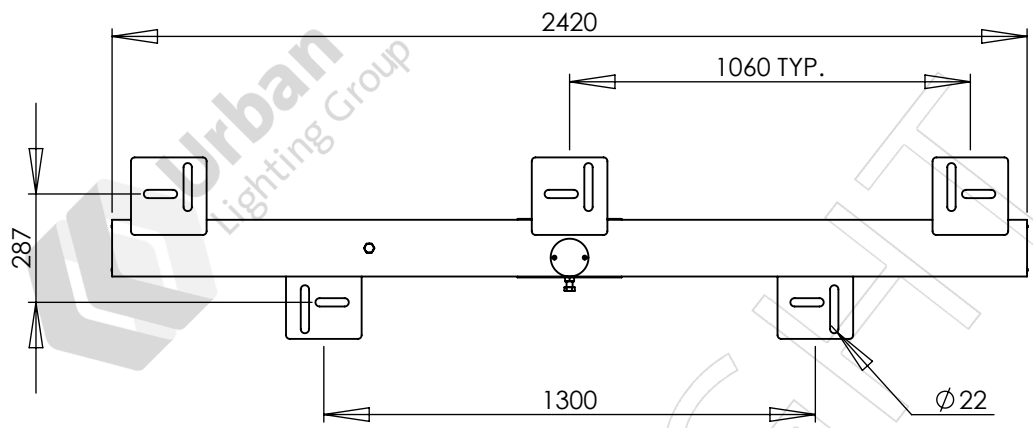



APPROVED BY: _____
 DATE : _____



- Notes:
- Dual bolt mount accepts luminaire mounts with $\varnothing 20$ holes or slots at 55mm to 100mm pitch. This allows for 45° outward and 20° inward aiming when both bolts are used.
 - Supplied with M20 x 60mm galvanized luminaire fixing bolts.
 - Luminaires and cabling are not included unless specifically listed on the quotation.

Designed and manufactured to:
 AS 1798 Lighting poles and arms - Preferred dimensions
 AS/NZS 1170.2 Structural design actions - Part 2: Wind actions
 AS 4100 Steel structures
 AS 4680 Hot-dip galvanized (zinc) coatings
 See DS-3040 for other design standards

PARTS LIST					
ITEM NO.	PART NUMBER	DESCRIPTION	DRAWING NO.	REV.	QTY.
1	HH5S-1060-2.4	2.4m 5 WAY STRAIGHT HEADFRAME	ADL-21144	2	1

REV.	DESCRIPTION	DATE	BY	HH5S-1060-2.4 5 Way High Mast Headframe			 Urban Lighting Group Pty Ltd ABN 74 638 077 684 28 National Drive, Hallam Victoria 3803 T 1300 088 719 email: sales@urbanlightinggroup.com.au	
1	INITIAL ISSUE	2022-11-08	KG	Colour:				
				Maximum load per mount: 5 x 0.75m ² 50kg luminaires				
				Wind loads: Region A, TC 2	Headframe / bracket ESA: 0.131m ²			
This drawing is the property of Urban Lighting Group Pty Ltd. No copies may be made without written permission				Weight: 55kg	DO NOT SCALE	Sheet 1 of 1	A4	Drawing No. GA-10553 Revision 1