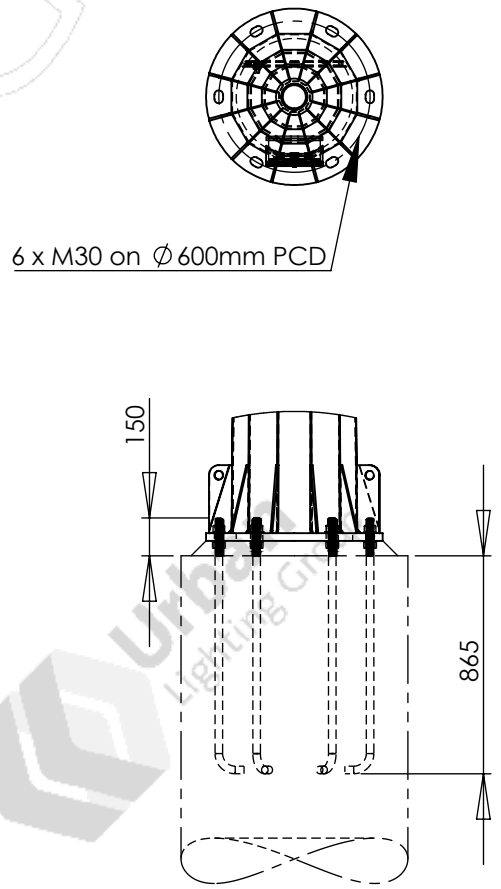
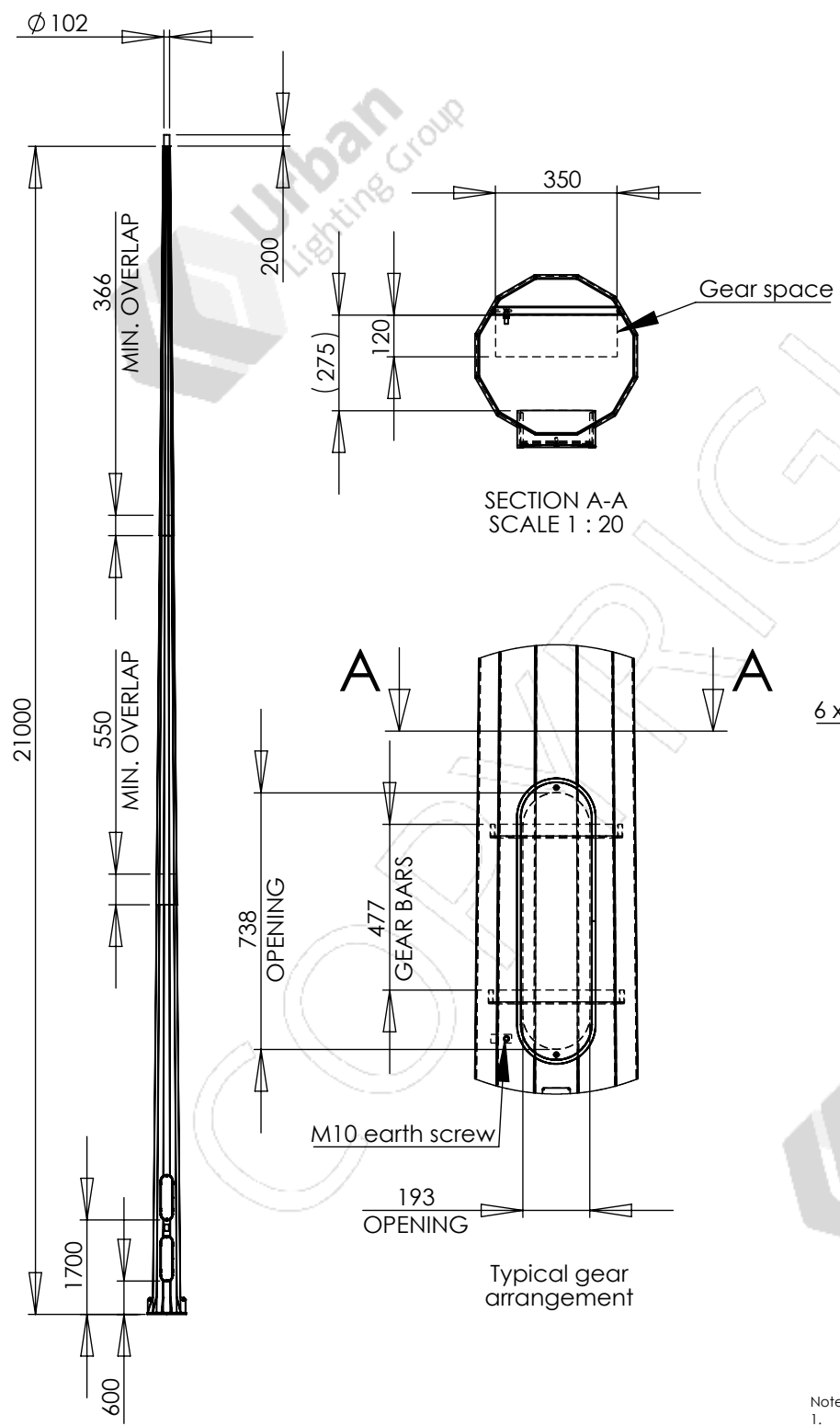


APPROVED BY: _____
 DATE : _____



Notes:
 1. Luminaires and cabling are not included unless specifically listed on the quotation.
 2. See quotation for reinforcing cage and footing details

Designed and manufactured to:
 AS 1798 Lighting poles and arms - Preferred dimensions
 AS/NZS 1170.2 Structural design actions - Part 2: Wind actions
 AS 4100 Steel structures
 AS 4680 Hot-dip galvanized (zinc) coatings
 See DS-3040 for other design standards

| PARTS LIST | | | | | |
|------------|----------------|--|-------------|------|------|
| ITEM NO. | PART NUMBER | DESCRIPTION | DRAWING NO. | REV. | QTY. |
| 1 | FL21-D3-102500 | 21.0m HIGH MAST COLUMN | ADL-21501 | 1 | 1 |
| 2 | FBA-6XM30X600 | FOUNDATION BOLT ASSEMBLY, 6 X M30 ON 600mm PCD | | | 1 |

| REV. | DESCRIPTION | DATE | BY | APP. |
|------|---------------|------------|----|------|
| 1 | INITIAL ISSUE | 2022-07-26 | KG | |

| | |
|---|--------------------------------------|
| COLUMN, FL21-D3-102500 | |
| Colour: | |
| Luminaires allowed for: 1.75m ² 155kg maximum load | |
| Wind loads: Region A, TC 2 | Ground loads: M* 145 kNm, V* 12.3 kN |
| Weight: 776kg | DO NOT SCALE |

Urban Lighting Group Pty Ltd
 ABN 74 638 077 684
 28 National Drive, Hallam Victoria 3803
 T 1300 088 719
 email: sales@urbanlightinggroup.com.au

Drawing No. GA-10727
 Revision 2