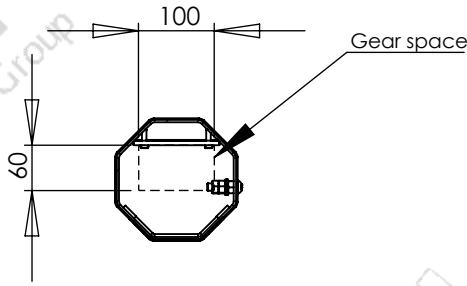
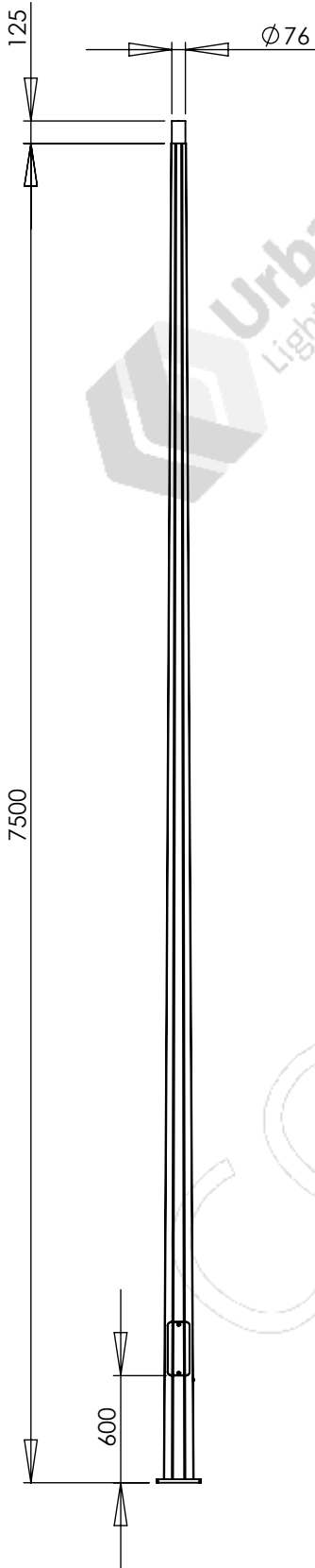
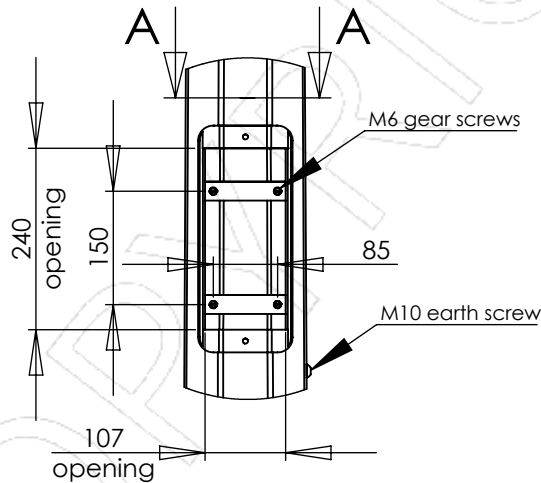


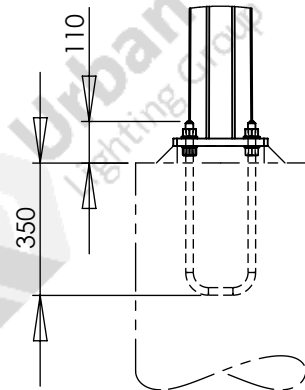
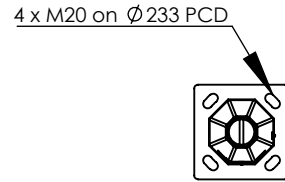
APPROVED BY: _____
 DATE : _____



SECTION A-A
SCALE 1 : 10



Typical gear arrangement



Notes:

- Luminaires and cabling are not included unless specifically listed on the quotation.
- See quotation for reinforcing cage and footing details

Designed and manufactured to:
 AS 1798 Lighting poles and arms - Preferred dimensions
 AS/NZS 1170.2 Structural design actions - Part 2: Wind actions
 AS 4100 Steel structures
 AS 4680 Hot-dip galvanized (zinc) coatings
 See DS-3040 for other design standards

Parts List					
ITEM NO.	PART NUMBER	DESCRIPTION	DRAWING NO.	Rev.	QTY.
1	FL7.5XL1	7.5m Tapered Octagonal Column	ADL-21505	1	1
2	UBA-M20X233	U-bolt Assembly, M20x233 PCD	ADL-20358	1	1

REV.	DESCRIPTION	DATE	BY	APP.
1	INITIAL ISSUE	2023-08-23	KG	ME

COLUMN, FL7.5XL1

Colour:

Luminaires allowed for: 0.6m² 60kg maximum load

Wind loads: Region A, TC 2

Ground loads: M* 9.11 kNm, V* 1.91 kN

Weight: 83kg

DO NOT SCALE

Sheet 1 of 1

A4



Urban Lighting Group Pty Ltd
 ABN 74 638 077 684
 28 National Drive, Hallam Victoria 3803
 T 1300 088 719
 email: sales@urbanlightinggroup.com.au

Drawing No. GA-10732

Revision 1