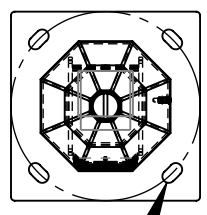
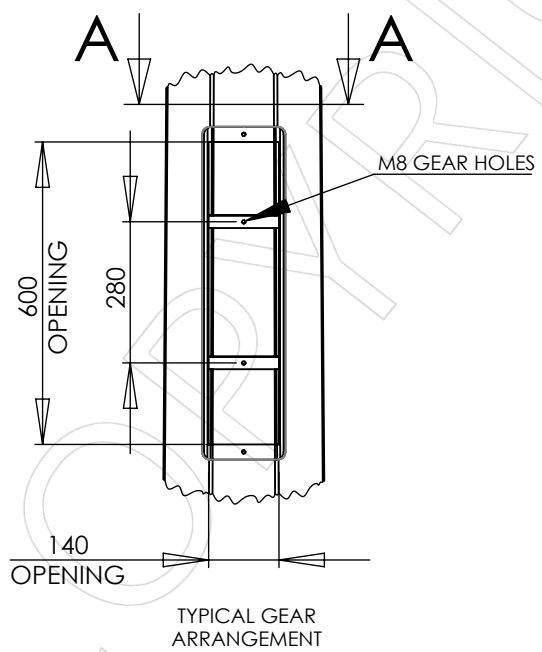
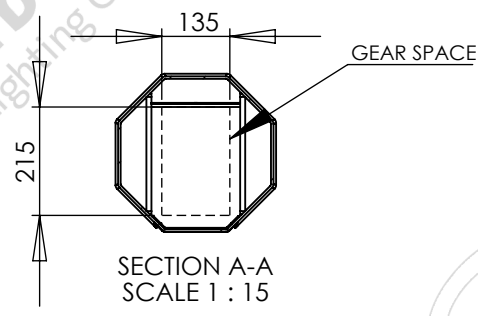
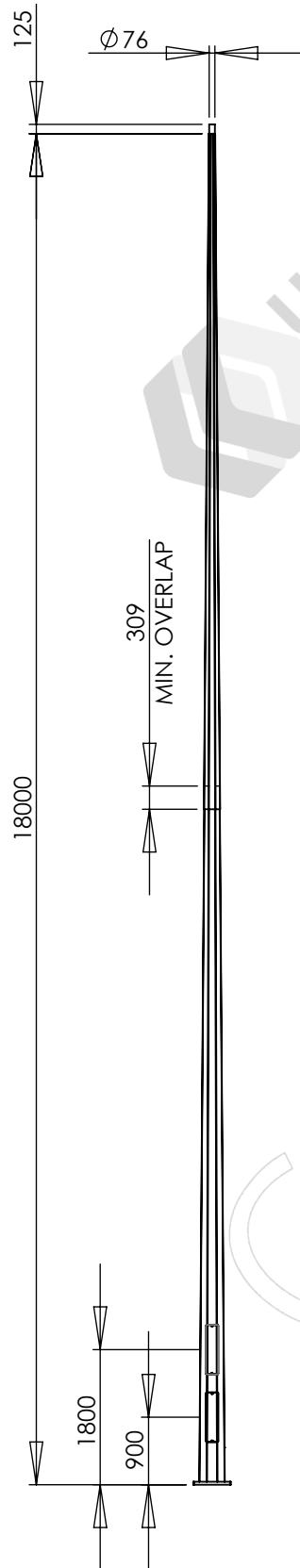
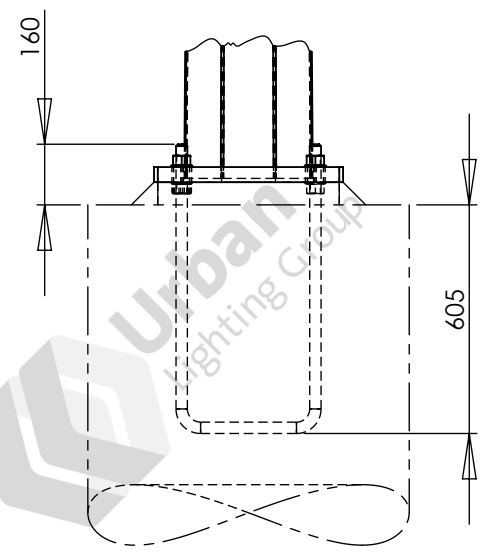


APPROVED BY: _____
 DATE : _____



4 x M30 ON Ø 500mm PCD



- NOTES:
- LUMINAIRES AND CABLING ARE NOT INCLUDED UNLESS SPECIFICALLY LISTED ON THE QUOTATION.
 - SEE QUOTATION FOR REINFORCING CAGE AND FOOTING DETAILS

DESIGNED AND MANUFACTURED TO:
 AS 1798 LIGHTING POLES AND ARMS - PREFERRED DIMENSIONS
 AS/NZS 1170.2 STRUCTURAL DESIGN ACTIONS - PART 2: WIND ACTIONS
 AS 4100 STEEL STRUCTURES
 AS 4680 HOT-DIP GALVANIZED (ZINC) COATINGS
 SEE DS-3040 FOR OTHER DESIGN STANDARDS

PARTS LIST					
ITEM NO.	PART NUMBER	DESCRIPTION	DRAWING NO.	REV.	QTY.
1	FL18XL2-2D	COLUMN, 18.0m 2 SECTION 8 SIDED	ADL-21544	1	1
2	UBA-M30X500	U-BOLT ASSEMBLY, M30 x 500mm PCD	ADL-20714	1	1

REV.	DESCRIPTION	DATE	BY	APP.	
1	INITIAL ISSUE	2023-10-11	KG	ME	COLUMN, FL18XL2-2D, 18.0m 2 SECTION 8 SIDED
COATING:					
MAXIMUM LOAD: 0.6m ² 60kg					
WIND REGION: A, TC 2			GROUND LOAD: M* 59.0 kNm, V* 6.36 kN		
WEIGHT: 543kg			DO NOT SCALE		



Urban Lighting Group
 Innovative Streetscape Solutions

Urban Lighting Group Pty Ltd
 ABN 74 638 077 684
 28 National Drive, Hallam Victoria 3803
 T 1300 088 719
 email: sales@urbanlightinggroup.com.au

DRAWING NO. GA-10775
 REVISION 1