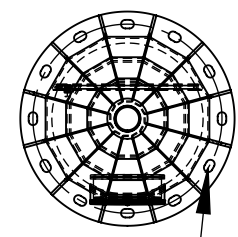
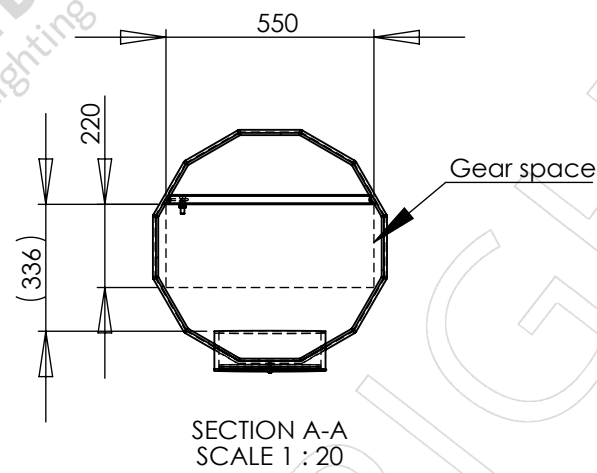
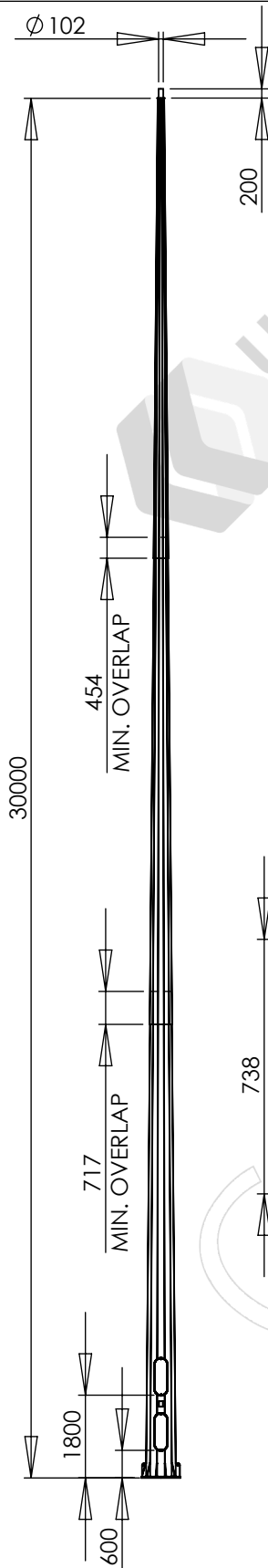
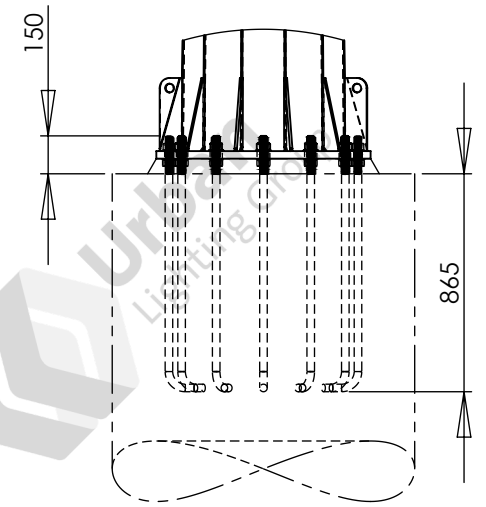
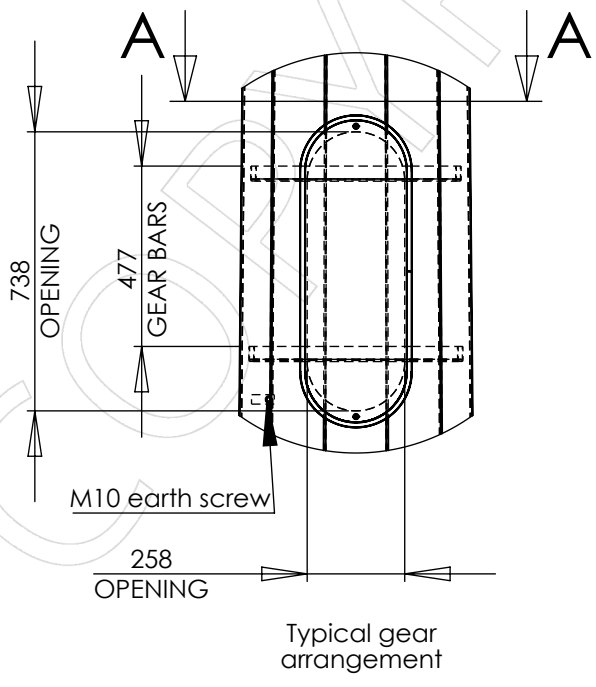


APPROVED BY: _____
 DATE : _____



12 x M30 on \varnothing 750mm PCD



- Notes:
- Luminaires and cabling are not included unless specifically listed on the quotation.
 - See quotation for reinforcing cage and footing details

Designed and manufactured to:
 AS 1798 Lighting poles and arms - Preferred dimensions
 AS/NZS 1170.2 Structural design actions - Part 2: Wind actions
 AS 4100 Steel structures
 AS 4680 Hot-dip galvanized (zinc) coatings
 See DS-3040 for other design standards

PARTS LIST					
ITEM NO.	PART NUMBER	DESCRIPTION	DRAWING NO.	REV.	QTY.
1	FL30-D3-102650	COLUMN, 30.0m 3 SECTION 12 SIDED	ADL-21598	1	1
2	FBA-12XM30X750	FOUNDATION BOLT ASSEMBLY, 12 X M30 ON 750mm PCD			1

REV.	DESCRIPTION	DATE	BY	APP.
1	INITIAL ISSUE	2024-01-24	KG	ME

COLUMN, FL30-D3-102650, 30.0m 3 SECTION 12 SIDED



COATING:
 MAXIMUM LOAD: 2.2m² 300kg
 WIND REGION: A, TC 2
 GROUND LOAD: M* 374 kNm, V* 23.3 kN
 WEIGHT: 1691kg

Urban Lighting Group Pty Ltd
 ABN 74 638 077 684
 28 National Drive, Hallam Victoria 3803
 T 1300 088 719
 email: sales@urbanlightinggroup.com.au
 DRAWING NO. GA-10824
 REVISION 1