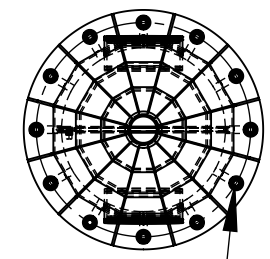
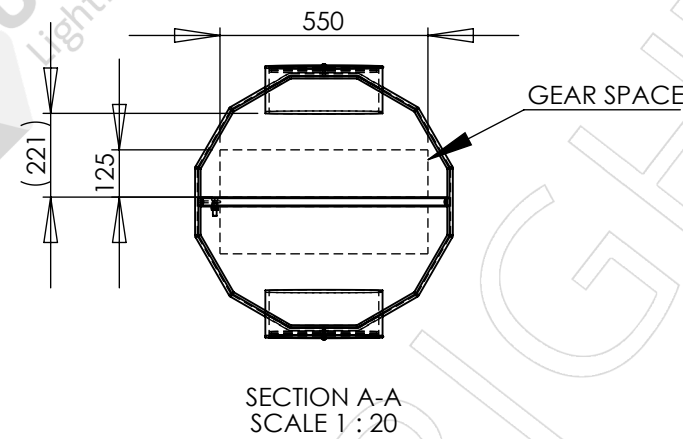
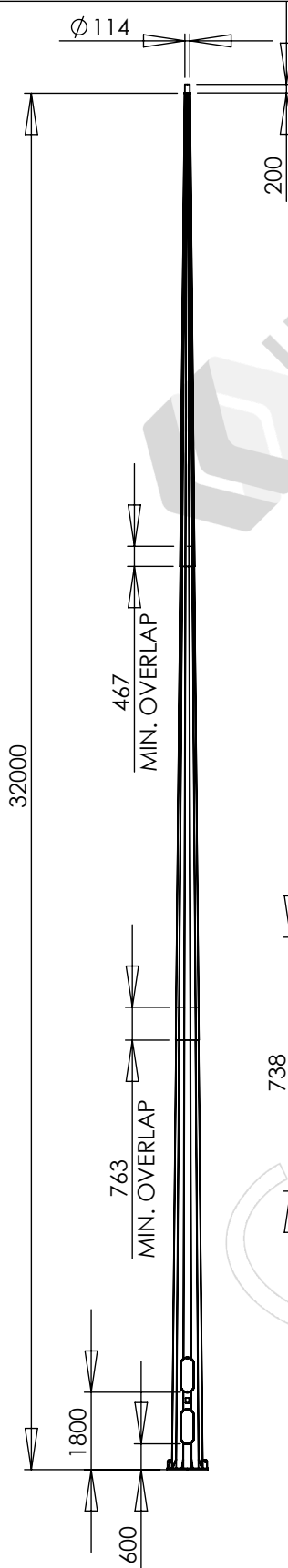
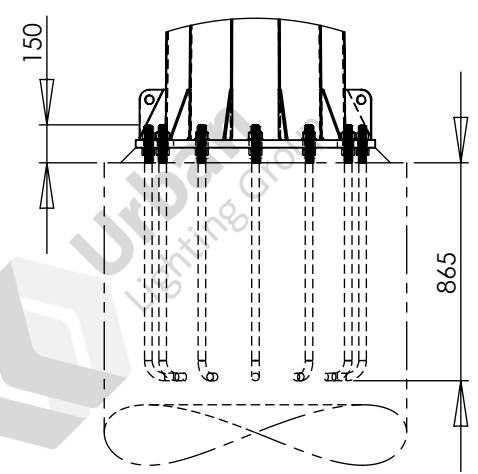
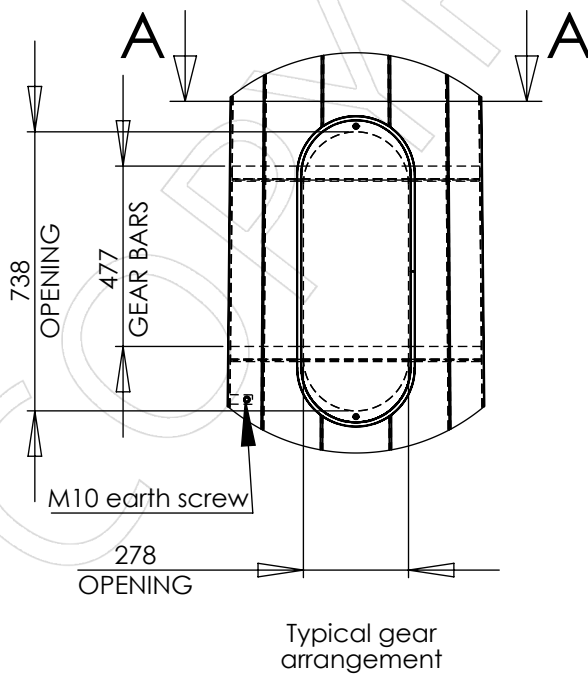


APPROVED BY: \_\_\_\_\_  
 DATE : \_\_\_\_\_



12 x M30 on  $\varnothing$ 850mm PCD



NOTES:  
 1. LUMINAIRES AND CABLING ARE NOT INCLUDED UNLESS SPECIFICALLY LISTED ON THE QUOTATION.  
 2. SEE QUOTATION FOR REINFORCING CAGE AND FOOTING DETAILS

DESIGNED AND MANUFACTURED TO:  
 AS 1798 LIGHTING POLES AND ARMS - PREFERRED DIMENSIONS  
 AS/NZS 1170.2 STRUCTURAL DESIGN ACTIONS - PART 2: WIND ACTIONS  
 AS 4100 STEEL STRUCTURES  
 AS 4680 HOT-DIP GALVANIZED (ZINC) COATINGS  
 SEE DS-3040 FOR OTHER DESIGN STANDARDS

PARTS LIST					
ITEM NO.	PART NUMBER	DESCRIPTION	DRAWING NO.	REV.	QTY.
1	FL32-D3-114715	COLUMN, 32.0m 3 SECTION 12 SIDED	ADL-21597	1	1
2	FBA-12XM30X850	FOUNDATION BOLT ASSEMBLY, 12 X M30 ON 850mm PCD			1

REV.	DESCRIPTION	DATE	BY	APP.
1	INITIAL ISSUE	2024-01-29	KG	ME

COLUMN, FL32-D3-114715, 32.0m 3 SECTION 12 SIDED



COATING:  
 MAXIMUM LOAD: 2.0m<sup>2</sup> 300kg  
 WIND REGION: A, TC 2  
 GROUND LOAD: M\* 419 kNm, V\* 25.7 kN  
 WEIGHT: 1952kg

Urban Lighting Group Pty Ltd  
 ABN 74 638 077 684  
 28 National Drive, Hallam Victoria 3803  
 T 1300 088 719  
 email: sales@urbanlightinggroup.com.au  
 DRAWING NO. GA-10823  
 REVISION 1