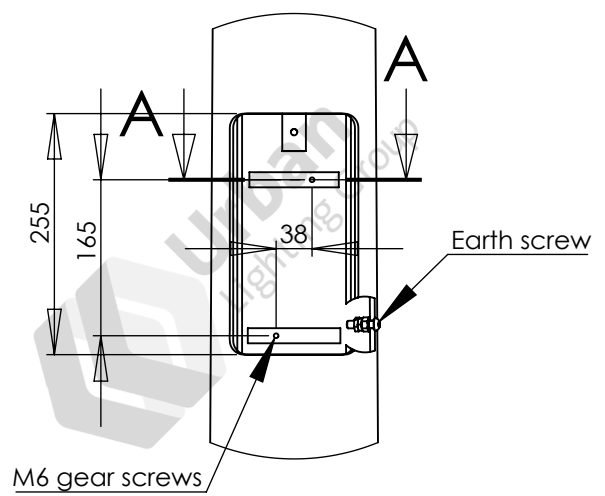


Configurations			
Model code	Outreach	Coating	Weight
70060	0.8m Single	Galvanized	159kg
70059	0.8m Single	Galvanized and Painted	159kg
70061	0.8m Double	Galvanized	161kg
70062	0.8m Double	Galvanized and Painted	161kg

Powercor / Citipower codes	
Code	Description
320323	P Category Decorative Column
354148	Single Outreach Bracket
354151	Double Outreach Bracket



- Notes:
1. ULS moment and shear are calculated for wind loads per AS/NZS 1170.2 Region A, terrain category 2.
 2. Serviceability deflection with 1kN top load is 62mm.
 3. Designed and manufactured to:
- AS 1798 Lighting poles and arms - Preferred dimensions
AS/NZS 1170.2 Structural design actions - Part 2: Wind actions
AS 4100 Steel structures
AS 4680 Hot-dip galvanized (zinc) coatings

Powercor P Category Decorative Column 0.8m Single and Double Outreach		Powercor / Citipower		 Urban Lighting Group Innovative Streetscape Solutions Urban Lighting Group Pty Ltd ABN 74 638 077 684 28 National Drive, Hallam Victoria 3803 T 1300 088 719 email: sales@urbanlightinggroup.com.au	
Dwg No. GA-10164		3-May-2021			
CONFIDENTIAL: This drawing is the property of Urban Lighting Group Pty Ltd. No copies may be made without written permission		ULS moment: 9.8 kNm		ULS shear: 2.0 kN	
Lift weight: kg		DO NOT SCALE		Sheet 1 of 1	
				A4	