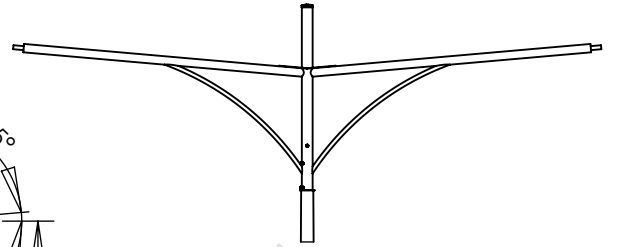
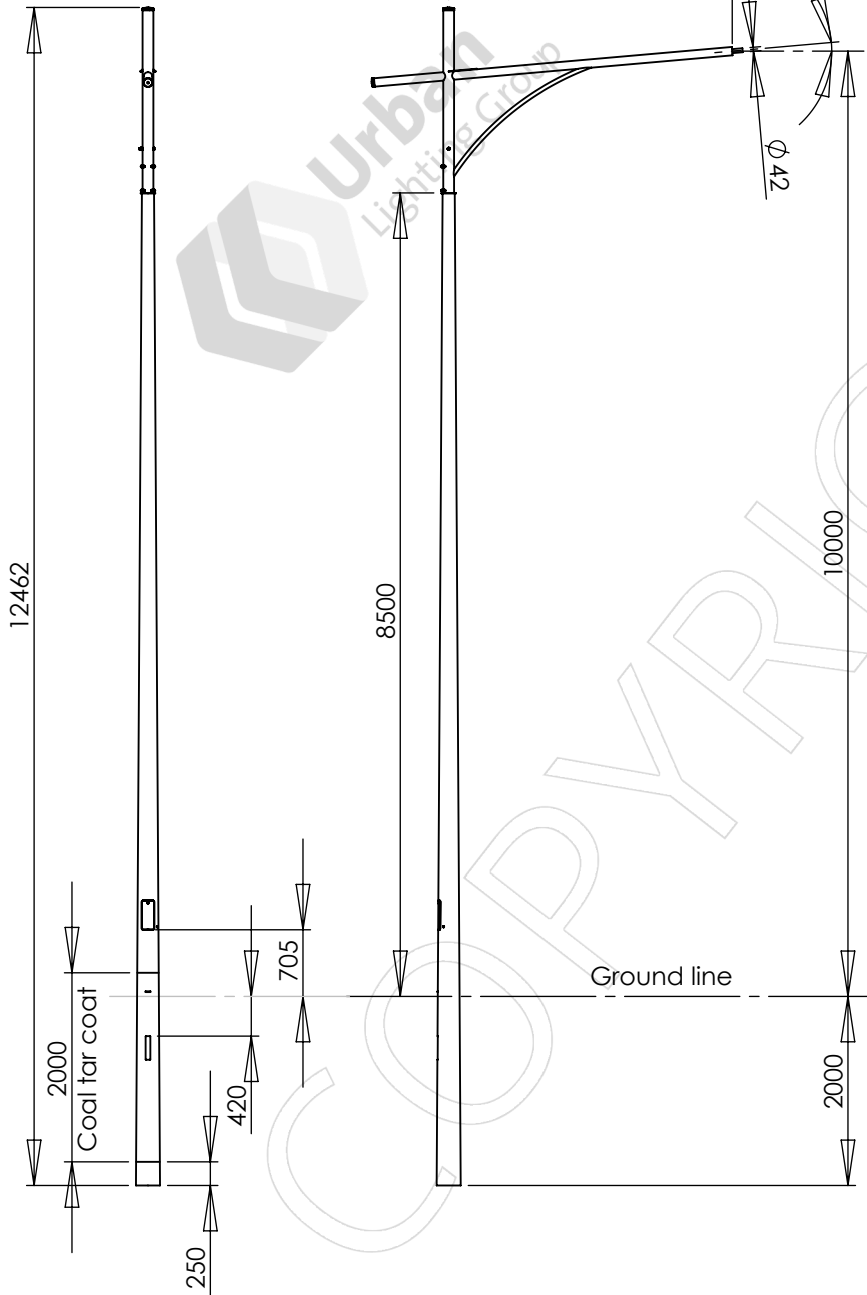
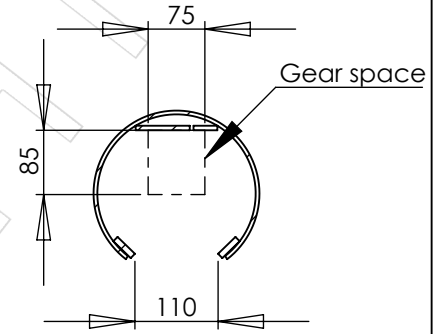


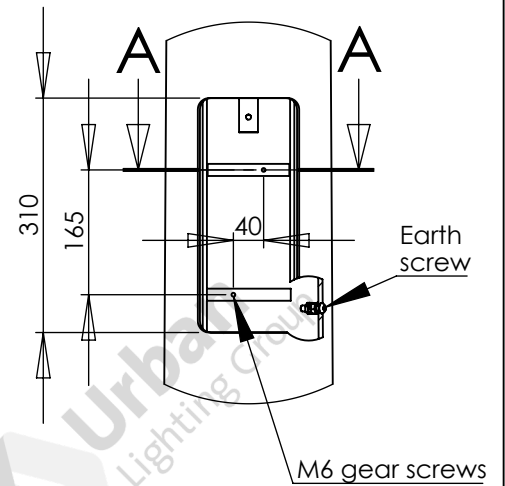
12462



Double Outreach Bracket



SECTION A-A



Configurations			
Model Code	Outreach	Coating	Weight
70063	3.0m Single	Galvanized	323kg
70064	3.0m Single	Galvanized and Painted	323kg
70065	3.0m Double	Galvanized	350kg
70066	3.0m Double	Galvanized and Painted	350kg

Powercor / Citipower codes	
Code	Description
320322	V Category Decorative Column
354149	3.0m Single Outreach Bracket
354152	3.0m Double Outreach Bracket

Notes:

1. ULS moment and shear are calculated for wind loads per AS/NZS 1170.2 Region A, terrain category 2.
2. Serviceability deflection with 3.0kN top load is 247mm.
3. Designed and manufactured to:

AS 1798 Lighting poles and arms - Preferred dimensions  
 AS/NZS 1170.2 Structural design actions - Part 2: Wind actions  
 AS 4100 Steel structures  
 AS 4680 Hot-dip galvanized (zinc) coatings

Powercor V Category Decorative Column  
 3.0m Single and Double Outreach

Luminaires allowed for: 2 x 0.20 sq.m 20kg nominal luminaires

Dwg No. GA-10165

3-May-2021

ULS moment: 36.1 kNm

ULS shear: 5.4 kN

CONFIDENTIAL: This drawing is the property of Urban Lighting Group Pty Ltd.  
 No copies may be made without written permission

Lift weight: kg

DO NOT SCALE

Sheet 1 of 1

A4

**Urban**  
Lighting Group  
Innovative Streetscape Solutions

Urban Lighting Group Pty Ltd  
 ABN 74 638 077 684  
 28 National Drive, Hallam Victoria 3803  
 T 1300 088 719  
 email: sales@urbanlightinggroup.com.au