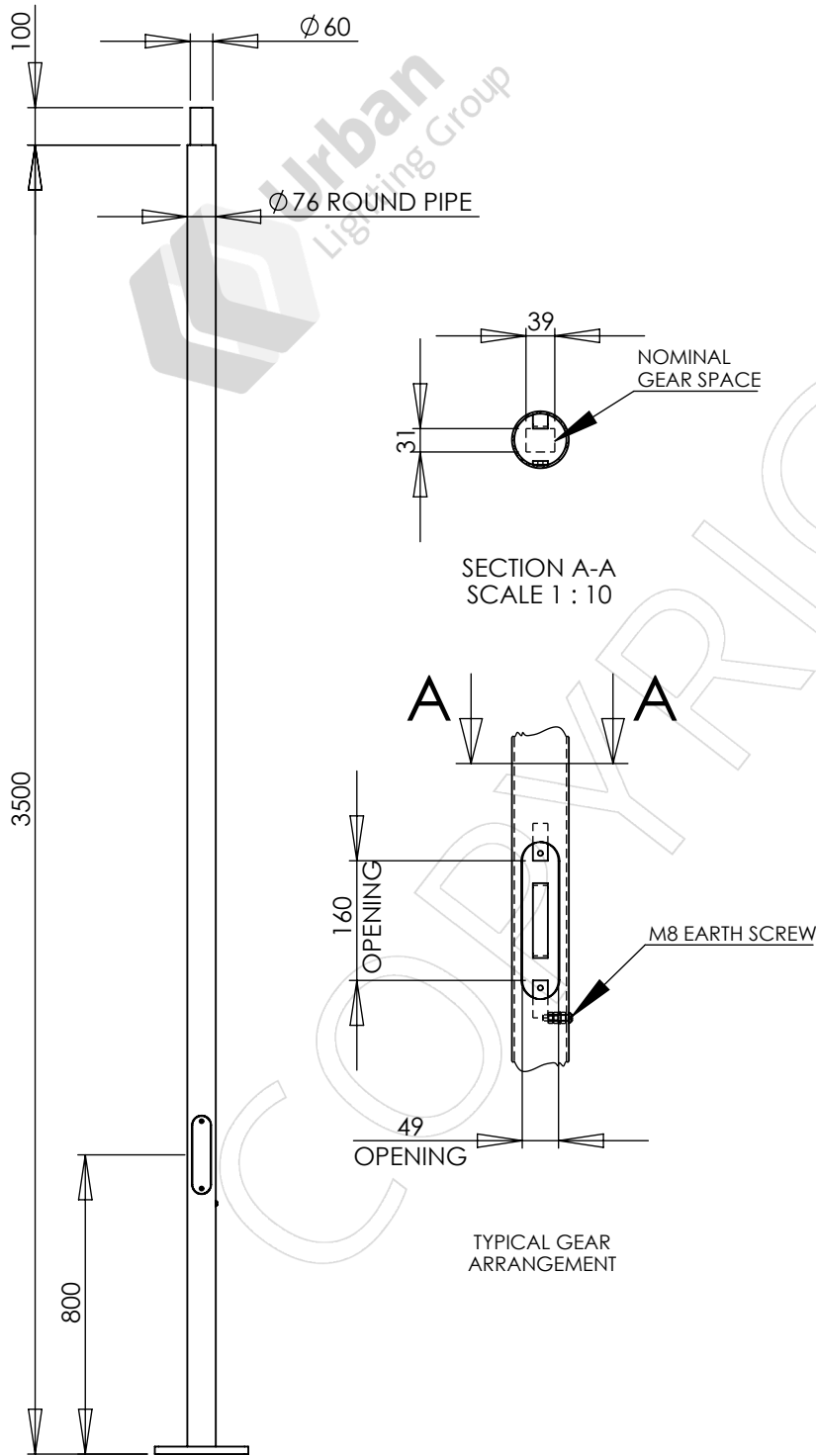


APPROVED BY: _____
 DATE : _____




NOTES:

- LUMINAIRES AND CABLING ARE NOT INCLUDED UNLESS SPECIFICALLY LISTED ON THE QUOTATION.
- SEE QUOTATION FOR REINFORCING CAGE AND FOOTING DETAILS

DESIGNED AND MANUFACTURED TO:
 AS 1798 LIGHTING POLES AND ARMS - PREFERRED DIMENSIONS
 AS/NZS 1170.2 STRUCTURAL DESIGN ACTIONS - PART 2: WIND ACTIONS
 AS 4100 STEEL STRUCTURES
 AS 4680 HOT-DIP GALVANIZED (ZINC) COATINGS
 SEE DS-3040 FOR OTHER DESIGN STANDARDS

PARTS LIST					
ITEM NO.	PART NUMBER	DESCRIPTION	DRAWING NO.	REV.	QTY.
1	FL3.5P76X3-60	COLUMN, 3.5m 1 SECTION ROUND PIPE 76 X 3.2	ADL-21740	1	1
2	UBA-M20X233	U-BOLT ASSEMBLY, M20X233 PCD	ADL-20358	2	1

REV.	DESCRIPTION	DATE	BY	APP.	COLUMN, FL3.5P76X3-60, 3.5m 1 SECTION ROUND PIPE 76 X 3.2			 Urban Lighting Group Innovative Streetscape Solutions	
1	INITIAL ISSUE	2024-09-10	KG						Urban Lighting Group Pty Ltd ABN 74 638 077 684 28 National Drive, Hallam Victoria 3803 T 1300 088 719 email: sales@urbanlightinggroup.com.au
					COATING: GALVANIZED			DRAWING NO. GA-11013	
					MAXIMUM LOAD: 0.25m ² 25kg				
					WIND REGION: A, TC 2		GROUND LOAD: M* 1.51kNm, V* 0.57kN	REVISION 1	
This drawing is the property of Urban Lighting Group Pty Ltd. No copies may be made without written permission					WEIGHT: 30.6kg		DO NOT SCALE		SHEET 1 OF 1