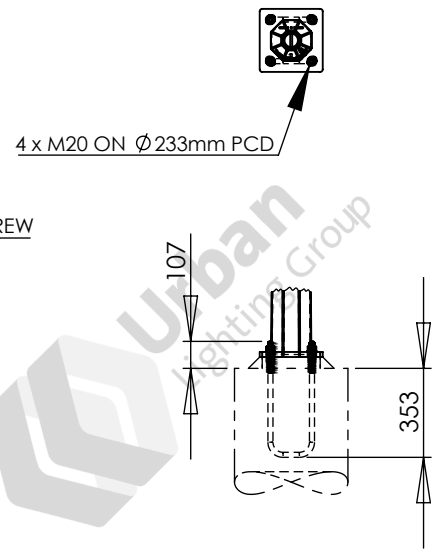
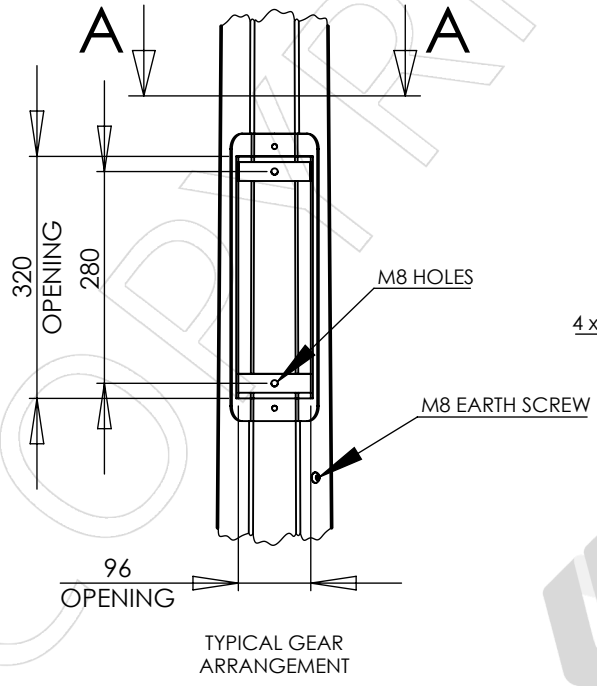
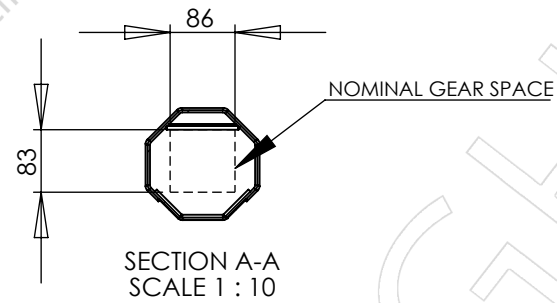
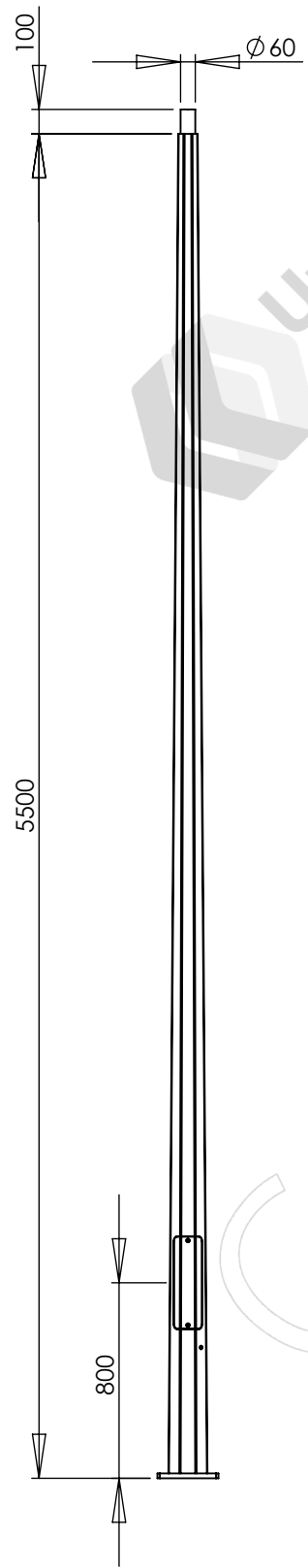


APPROVED BY: _____
 DATE : _____



NOTES:
 1. LUMINAIRES AND CABLING ARE NOT INCLUDED UNLESS SPECIFICALLY LISTED ON THE QUOTATION.
 2. SEE QUOTATION FOR REINFORCING CAGE AND FOOTING DETAILS

DESIGNED AND MANUFACTURED TO:
 AS 1798 LIGHTING POLES AND ARMS - PREFERRED DIMENSIONS
 AS/NZS 1170.2 STRUCTURAL DESIGN ACTIONS - PART 2: WIND ACTIONS
 AS 4100 STEEL STRUCTURES
 AS 4680 HOT-DIP GALVANIZED (ZINC) COATINGS
 SEE DS-3040 FOR OTHER DESIGN STANDARDS

| PARTS LIST | | | | | |
|------------|-------------|--------------------------------|-------------|------|------|
| ITEM NO. | PART NUMBER | DESCRIPTION | DRAWING NO. | REV. | QTY. |
| 1 | FL5.5XL1-60 | COLUMN, 5.5m 1 SECTION 8 SIDED | ADL-21729 | 1 | 1 |
| 2 | UBA-M20X233 | U-BOLT ASSEMBLY, M20X233 PCD | ADL-20358 | 2 | 1 |

| REV. | DESCRIPTION | DATE | BY | APP. | COLUMN, FL5.5XL1-60, 5.5m 1 SECTION 8 SIDED |
|------|---------------|------------|----|------|---|
| 1 | INITIAL ISSUE | 2024-08-29 | KG | ME | |
| | | | | | COATING: GALVANIZED |
| | | | | | MAXIMUM LOAD: 0.60m ² 60kg |
| | | | | | WIND REGION: A, TC 2 |
| | | | | | GROUND LOAD: M* 5.89kNm, V* 1.55kN |
| | | | | | WEIGHT: 61.2kg |
| | | | | | DO NOT SCALE |
| | | | | | SHEET 1 OF 1 |
| | | | | | A4 |



Urban Lighting Group Pty Ltd
 ABN 74 638 077 684
 28 National Drive, Hallam Victoria 3803
 T 1300 088 719
 email: sales@urbanlightinggroup.com.au

DRAWING NO. GA-11000
 REVISION 1