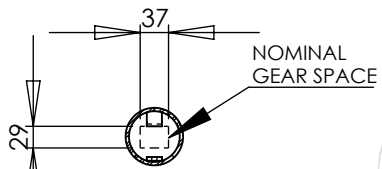
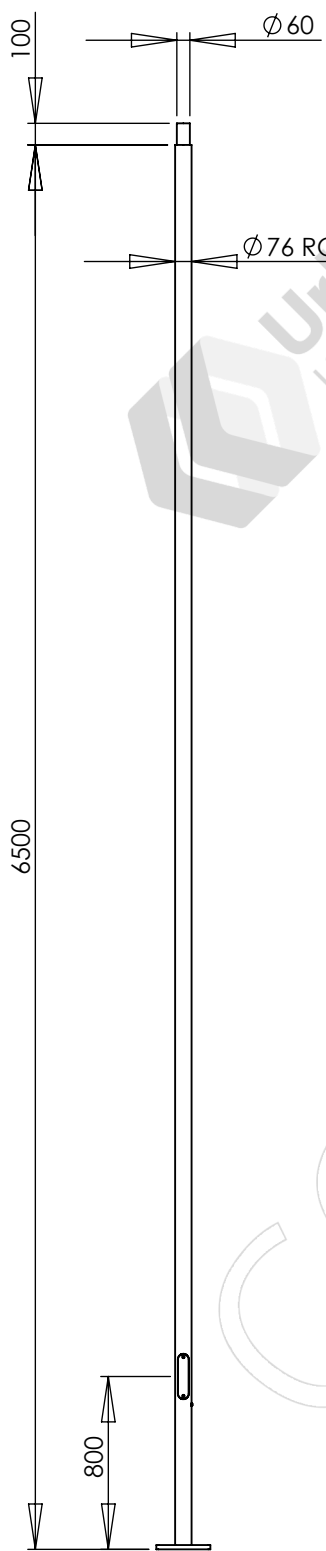
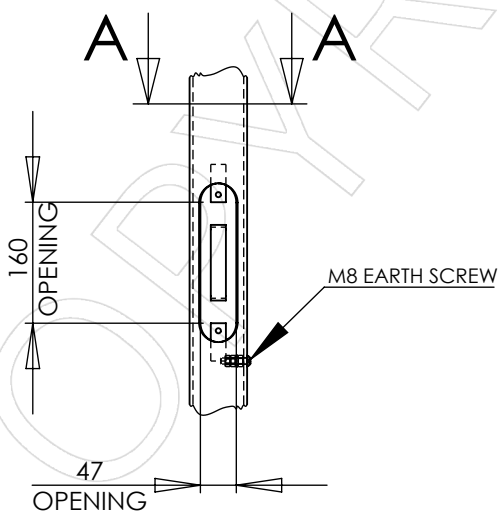


APPROVED BY: \_\_\_\_\_  
 DATE : \_\_\_\_\_



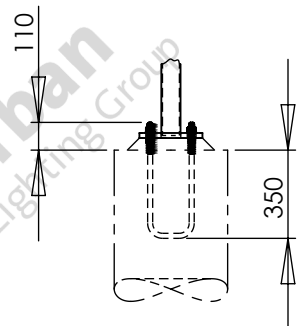
SECTION A-A  
SCALE 1 : 10



TYPICAL GEAR ARRANGEMENT



4 x M20 ON  $\varnothing$ 233mm PCD



- NOTES:
- LUMINAIRES AND CABLING ARE NOT INCLUDED UNLESS SPECIFICALLY LISTED ON THE QUOTATION.
  - SEE QUOTATION FOR REINFORCING CAGE AND FOOTING DETAILS

DESIGNED AND MANUFACTURED TO:  
 AS 1798 LIGHTING POLES AND ARMS - PREFERRED DIMENSIONS  
 AS/NZS 1170.2 STRUCTURAL DESIGN ACTIONS - PART 2: WIND ACTIONS  
 AS 4100 STEEL STRUCTURES  
 AS 4680 HOT-DIP GALVANIZED (ZINC) COATINGS  
 SEE DS-3040 FOR OTHER DESIGN STANDARDS

PARTS LIST					
ITEM NO.	PART NUMBER	DESCRIPTION	DRAWING NO.	REV.	QTY.
1	FL6.5P76X5-60	COLUMN, 6.5m 1 SECTION ROUND PIPE 76 X 4.5	ADL-21746	1	1
2	UBA-M20X233	U-BOLT ASSEMBLY, M20X233 PCD	ADL-20358	2	1

REV.	DESCRIPTION	DATE	BY	APP.	
1	INITIAL ISSUE	2024-09-10	KG	ME	COLUMN, FL6.5P76X5-60, 6.5m 1 SECTION ROUND PIPE 76 X 4.5
					COATING: GALVANIZED
					MAXIMUM LOAD: 0.25m <sup>2</sup> 25kg
					WIND REGION: A, TC 2
					GROUND LOAD: M* 3.96kNm, V* 0.87kN
					WEIGHT: 63kg

**Urban**  
Lighting Group  
Innovative Streetscape Solutions

Urban Lighting Group Pty Ltd  
 ABN 74 638 077 684  
 28 National Drive, Hallam Victoria 3803  
 T 1300 088 719  
 email: sales@urbanlightinggroup.com.au

DRAWING NO. GA-11019  
 REVISION 1