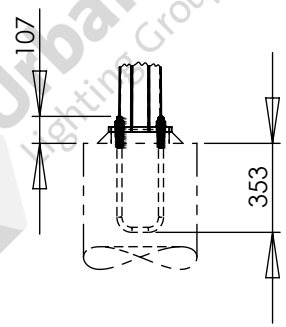
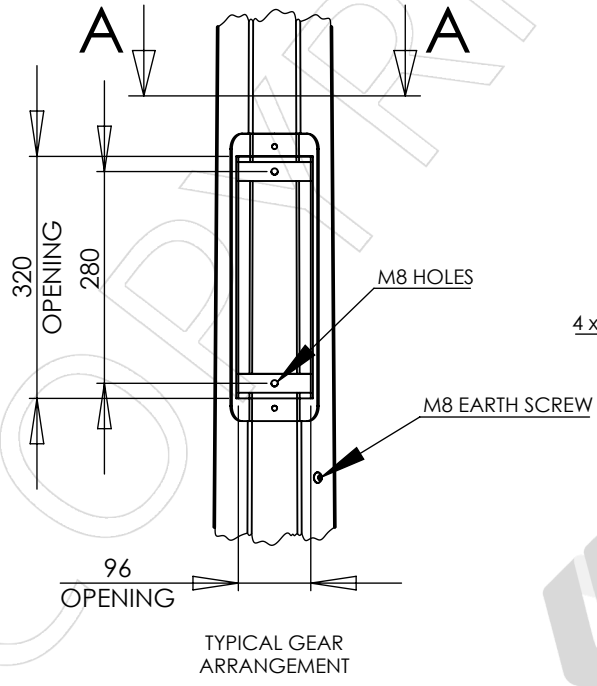
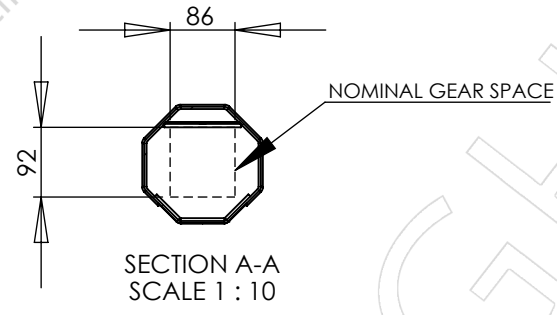
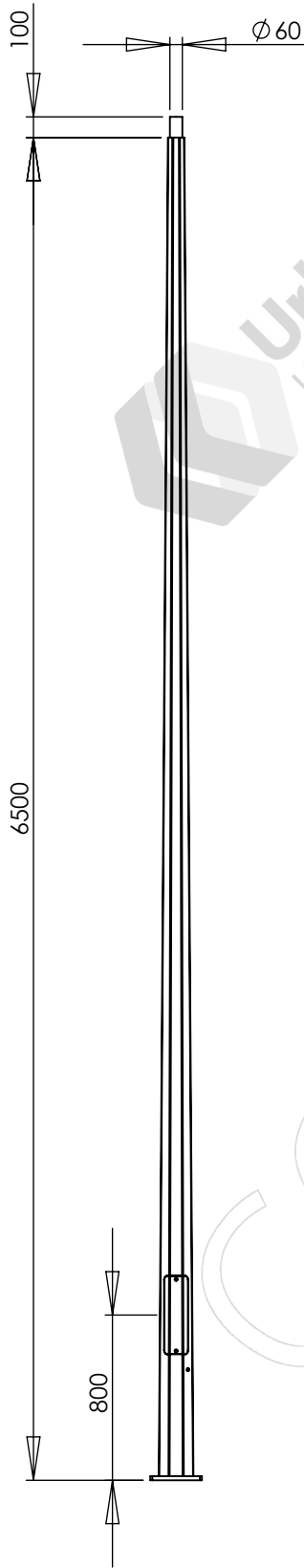


APPROVED BY: \_\_\_\_\_  
 DATE : \_\_\_\_\_



NOTES:  
 1. LUMINAIRES AND CABLING ARE NOT INCLUDED UNLESS SPECIFICALLY LISTED ON THE QUOTATION.  
 2. SEE QUOTATION FOR REINFORCING CAGE AND FOOTING DETAILS

DESIGNED AND MANUFACTURED TO:  
 AS 1798 LIGHTING POLES AND ARMS - PREFERRED DIMENSIONS  
 AS/NZS 1170.2 STRUCTURAL DESIGN ACTIONS - PART 2: WIND ACTIONS  
 AS 4100 STEEL STRUCTURES  
 AS 4680 HOT-DIP GALVANIZED (ZINC) COATINGS  
 SEE DS-3040 FOR OTHER DESIGN STANDARDS

PARTS LIST					
ITEM NO.	PART NUMBER	DESCRIPTION	DRAWING NO.	REV.	QTY.
1	FL6.5XL1-60	COLUMN, 6.5m 1 SECTION 8 SIDED	ADL-21731	1	1
2	UBA-M20X233	U-BOLT ASSEMBLY, M20X233 PCD	ADL-20358	2	1

REV.	DESCRIPTION	DATE	BY	APP.	COLUMN, FL6.5XL1-60, 6.5m 1 SECTION 8 SIDED
1	INITIAL ISSUE	2024-08-29	KG	ME	
					COATING: GALVANIZED
					MAXIMUM LOAD: 0.60m <sup>2</sup> 60kg
					WIND REGION: A, TC 2
					GROUND LOAD: M* 7.73kNm, V* 1.78kN
					WEIGHT: 68.4kg
					DO NOT SCALE
					SHEET 1 OF 1
					A4

**Urban**  
Lighting Group  
Innovative Streetscape Solutions

Urban Lighting Group Pty Ltd  
 ABN 74 638 077 684  
 28 National Drive, Hallam Victoria 3803  
 T 1300 088 719  
 email: sales@urbanlightinggroup.com.au

DRAWING NO. GA-11002  
 REVISION 1