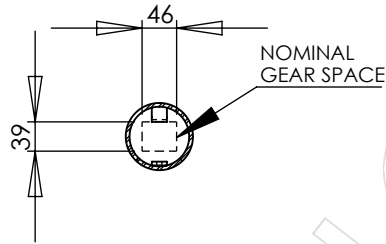
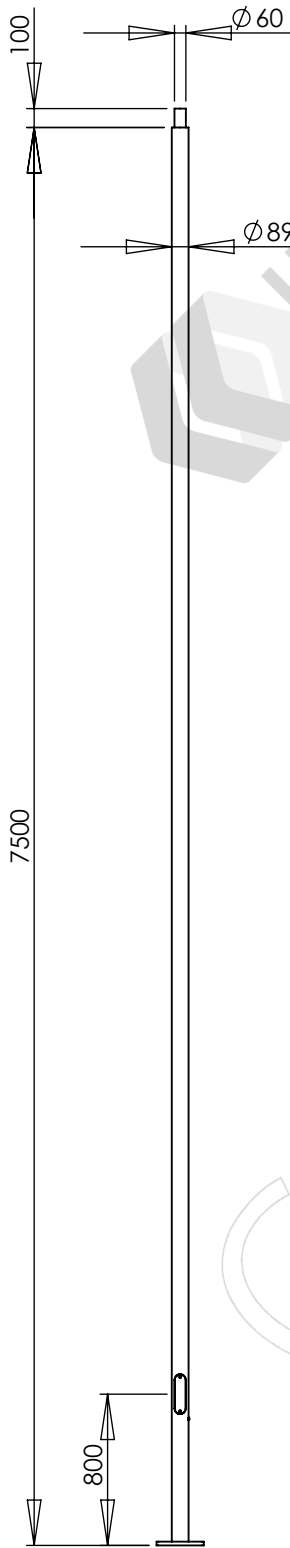
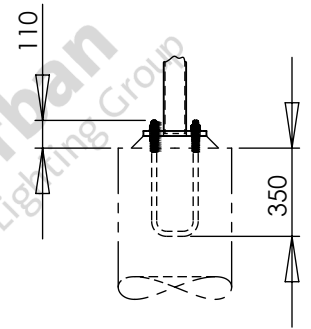
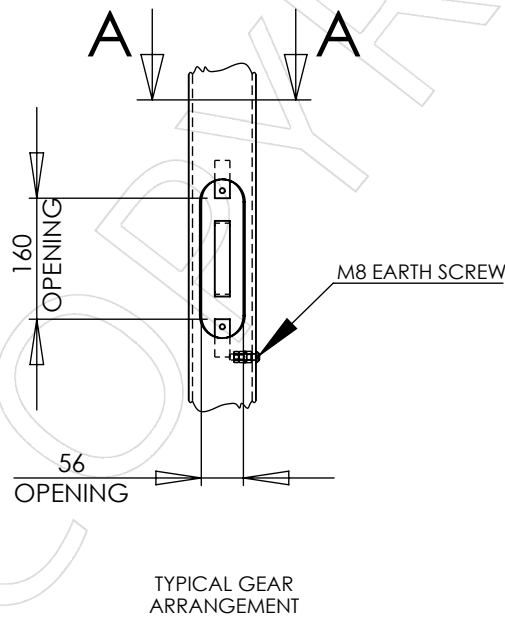


APPROVED BY: _____
 DATE : _____



SECTION A-A
SCALE 1 : 10



NOTES:

- LUMINAIRES AND CABLING ARE NOT INCLUDED UNLESS SPECIFICALLY LISTED ON THE QUOTATION.
- SEE QUOTATION FOR REINFORCING CAGE AND FOOTING DETAILS

DESIGNED AND MANUFACTURED TO:
 AS 1798 LIGHTING POLES AND ARMS - PREFERRED DIMENSIONS
 AS/NZS 1170.2 STRUCTURAL DESIGN ACTIONS - PART 2: WIND ACTIONS
 AS 4100 STEEL STRUCTURES
 AS 4680 HOT-DIP GALVANIZED (ZINC) COATINGS
 SEE DS-3040 FOR OTHER DESIGN STANDARDS

PARTS LIST					
ITEM NO.	PART NUMBER	DESCRIPTION	DRAWING NO.	REV.	QTY.
1	FL7.5P89X5-60	COLUMN, 7.5m 1 SECTION ROUND PIPE 89 X 5.0	ADL-21748	1	1
2	UBA-M20X233	U-BOLT ASSEMBLY, M20X233 PCD	ADL-20358	2	1

REV.	DESCRIPTION	DATE	BY	APP.	COLUMN, FL7.5P89X5-60, 7.5m 1 SECTION ROUND PIPE 89 X 5.0		
1	INITIAL ISSUE	2024-09-10	KG	ME			
COATING: GALVANIZED							
MAXIMUM LOAD: 0.25m ² 25kg							
WIND REGION: A, TC 2					GROUND LOAD: M* 5.50kNm, V* 1.10kN		
WEIGHT: 89.4kg					DRAWING NO. GA-11021		
This drawing is the property of Urban Lighting Group Pty Ltd. No copies may be made without written permission					REVISION 1		



Urban Lighting Group Pty Ltd
 ABN 74 638 077 684
 28 National Drive, Hallam Victoria 3803
 T 1300 088 719
 email: sales@urbanlightinggroup.com.au