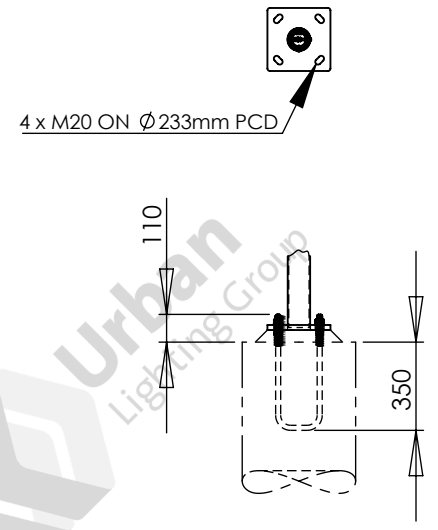
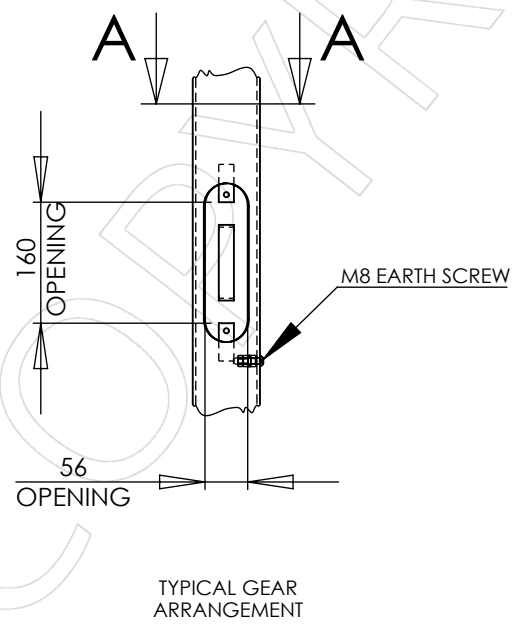
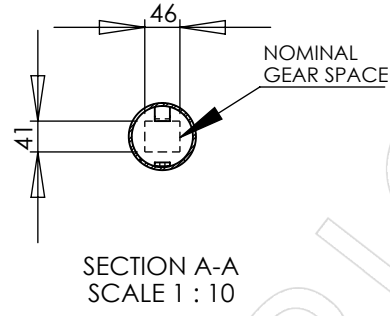
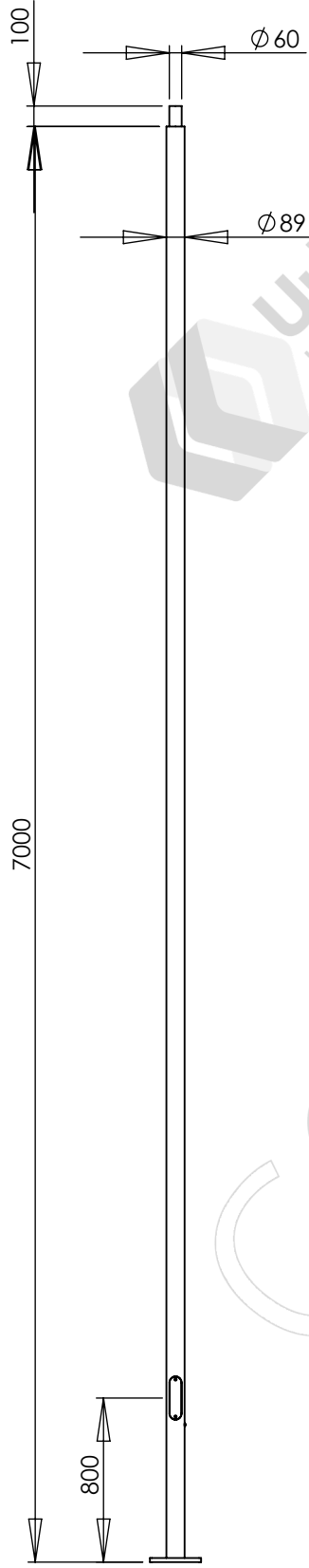


APPROVED BY: _____
 DATE : _____



- NOTES:
- LUMINAIRES AND CABLING ARE NOT INCLUDED UNLESS SPECIFICALLY LISTED ON THE QUOTATION.
 - SEE QUOTATION FOR REINFORCING CAGE AND FOOTING DETAILS

DESIGNED AND MANUFACTURED TO:
 AS 1798 LIGHTING POLES AND ARMS - PREFERRED DIMENSIONS
 AS/NZS 1170.2 STRUCTURAL DESIGN ACTIONS - PART 2: WIND ACTIONS
 AS 4100 STEEL STRUCTURES
 AS 4680 HOT-DIP GALVANIZED (ZINC) COATINGS
 SEE DS-3040 FOR OTHER DESIGN STANDARDS

PARTS LIST					
ITEM NO.	PART NUMBER	DESCRIPTION	DRAWING NO.	REV.	QTY.
1	FL7P89X4-60	COLUMN, 7.0m 1 SECTION ROUND PIPE 89 X 4.0	ADL-21747	1	1
2	UBA-M20X233	U-BOLT ASSEMBLY, M20X233 PCD	ADL-20358	2	1

REV.	DESCRIPTION	DATE	BY	APP.	COLUMN, FL7P89X4-60, 7.0m 1 SECTION ROUND PIPE 89 X 4.0
1	INITIAL ISSUE	2024-09-10	KG	ME	
					COATING: GALVANIZED
					MAXIMUM LOAD: 0.25m ² 25kg
					WIND REGION: A, TC 2
					GROUND LOAD: M* 4.85kNm, V* 1.03kN
					WEIGHT: 70.3kg
					DO NOT SCALE
					SHEET 1 OF 1
					A4



Urban Lighting Group Pty Ltd
 ABN 74 638 077 684
 28 National Drive, Hallam Victoria 3803
 T 1300 088 719
 email: sales@urbanlightinggroup.com.au

DRAWING NO. GA-11020
 REVISION 1