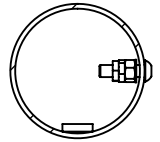
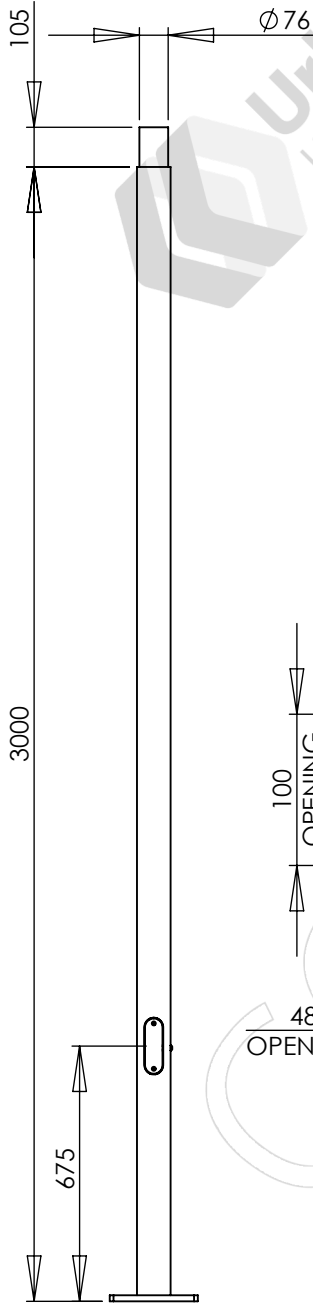
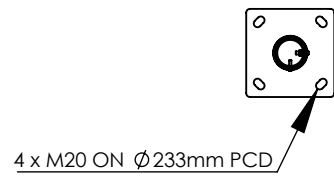
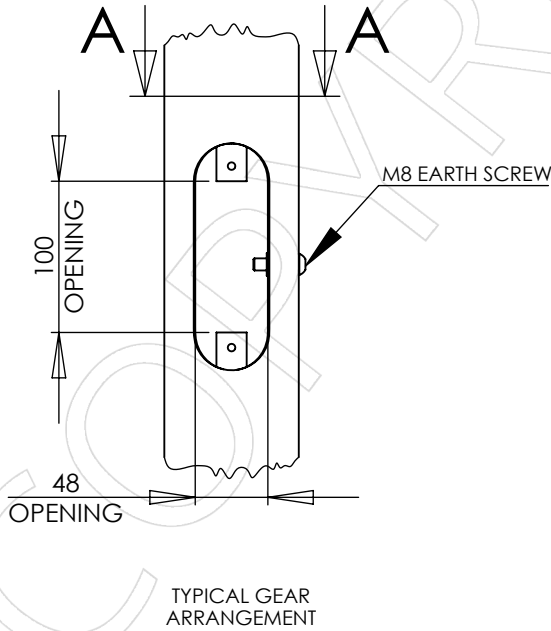


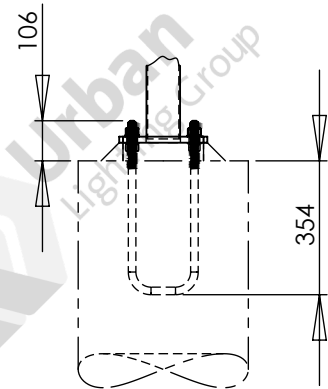
APPROVED BY: _____
 DATE : _____



SECTION A-A
SCALE 1 : 5



4 x M20 ON \varnothing 233mm PCD




NOTES:

- LUMINAIRES AND CABLING ARE NOT INCLUDED UNLESS SPECIFICALLY LISTED ON THE QUOTATION.
- SEE QUOTATION FOR REINFORCING CAGE AND FOOTING DETAILS

DESIGNED AND MANUFACTURED TO:
 AS 1798 LIGHTING POLES AND ARMS - PREFERRED DIMENSIONS
 AS/NZS 1170.2 STRUCTURAL DESIGN ACTIONS - PART 2: WIND ACTIONS
 AS 4100 STEEL STRUCTURES
 AS 4680 HOT-DIP GALVANIZED (ZINC) COATINGS
 SEE DS-3040 FOR OTHER DESIGN STANDARDS

PARTS LIST

ITEM NO.	PART NUMBER	DESCRIPTION	DRAWING NO.	REV.	QTY.
1	FL3P89-3	COLUMN, 3.0m 1 SECTION ROUND PIPE 89 X 3.2	ADL-20802	2	1
2	UBA-M20X233	U-BOLT ASSEMBLY, M20X233 PCD	ADL-20358	2	1

REV.	DESCRIPTION	DATE	BY	APP.	COLUMN, FL3P89-3, 3.0m 1 SECTION ROUND PIPE 89 X 3.2	 Urban Lighting Group Innovative Streetscape Solutions Urban Lighting Group Pty Ltd ABN 74 638 077 684 28 National Drive, Hallam Victoria 3803 T 1300 088 719 email: sales@urbanlightinggroup.com.au
1	INITIAL ISSUE	2024-09-23	KG	ME		
					COATING: GALVANIZED	
					MAXIMUM LOAD: 0.6m ² 60kg	
					WIND REGION: A, TC 2	GROUND LOAD: M* 2.46kNm, V* 0.92kN
					WEIGHT: 27.8kg	DRAWING NO. GA-11043
					DO NOT SCALE	SHEET 1 OF 1
						A4
						REVISION 1

This drawing is the property of Urban Lighting Group Pty Ltd.
 No copies may be made without written permission